

4.83m RUNABOUT

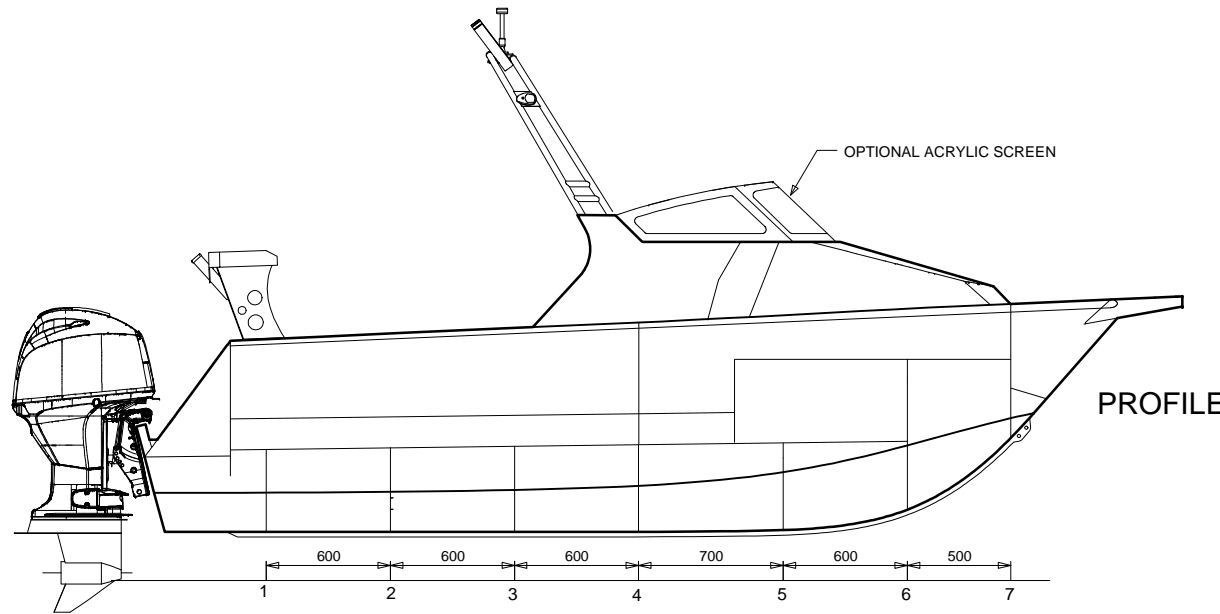
GENERAL ARRANGEMENT

PRINCIPAL PARTICULARS

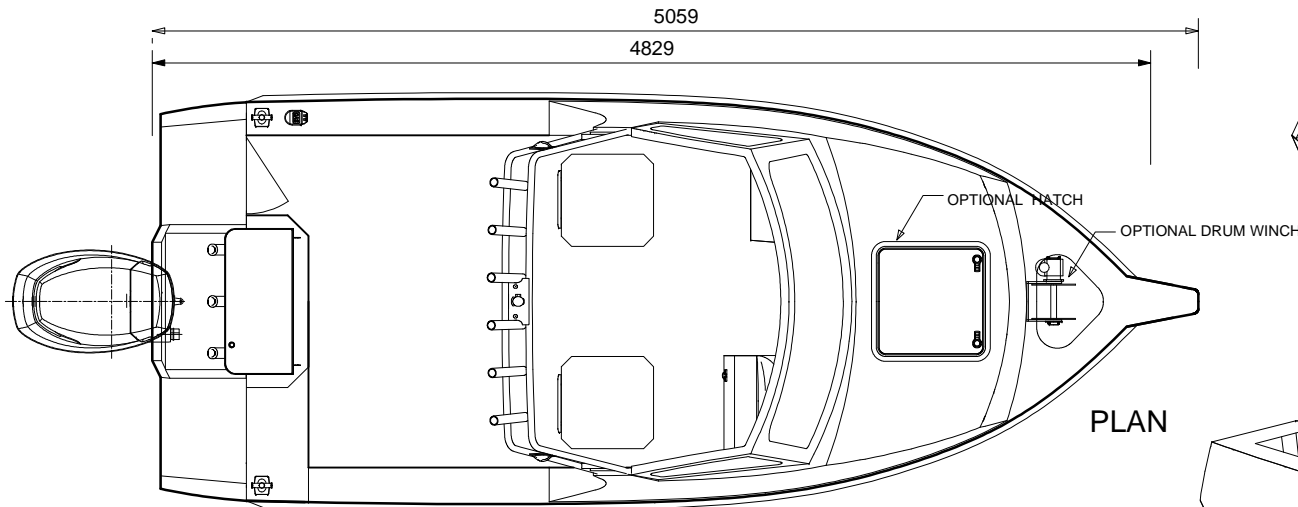
LOA:	5.0 m
LENGTH:	4.80 m
BEAM:	2.0 m
DEPTH:	1.1 m
DRAFT:	0.23m (HULL)
D/RISE:	15° @ TRAN.
DISPL:	680kg DRY -w- 70HP
ENG:	20" (LONG)

BOAT HULL TO BE FOAM FILLED.

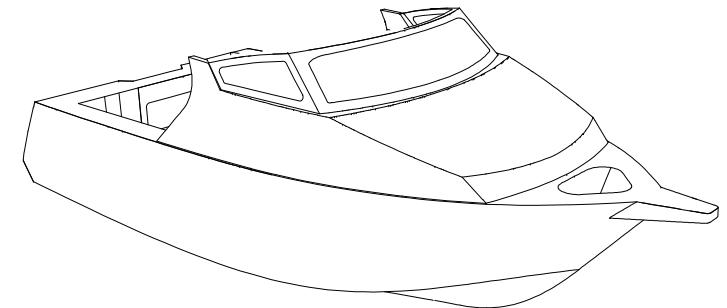
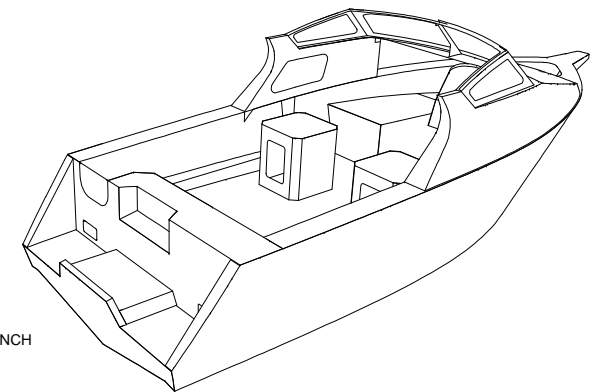
www.platealloy.com



PROFILE



PLAN



- Design in compliance with AS1799-1 2009
- Structure in accordance with ISO 12215
- Entire kit 4mm 5083 aluminium.
- Builders plate, Jig, Drawings & Photo CD included with kit.
- Bollards, Scuppers, Inspection port & Drain plug included in the kit.
- 5 days per week helpdesk available
- Customization available.
- Flotation foam & most fit out parts available, check catalogue for pricing.
- HIN number engraved in kit & and registered.

AUSTRALIAN BUILDERS PLATE

BUILDER "YOUR NAME"

HIN AU "SEE REGISTRATION"

Max \uparrow \equiv 90 hp

\equiv 270 kg

Max \uparrow 4 \equiv 360 kg

Max \uparrow \uparrow \uparrow \uparrow \equiv 590 kg

Buoyancy BASIC Flotation

Alteration of the boat's hull or permanent fittings may invalidate the particulars on this plate.

A REDUCED WEIGHT MAXIMUM NUMBER OF PERSONS MUST BE MADE IN ADVANCE OF THE VESSEL'S OPERATIONAL CONDITIONS OR WHEN ON THE OPEN SEA.

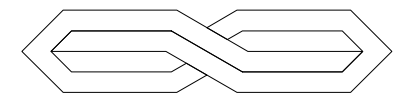


PLATE ALLOY

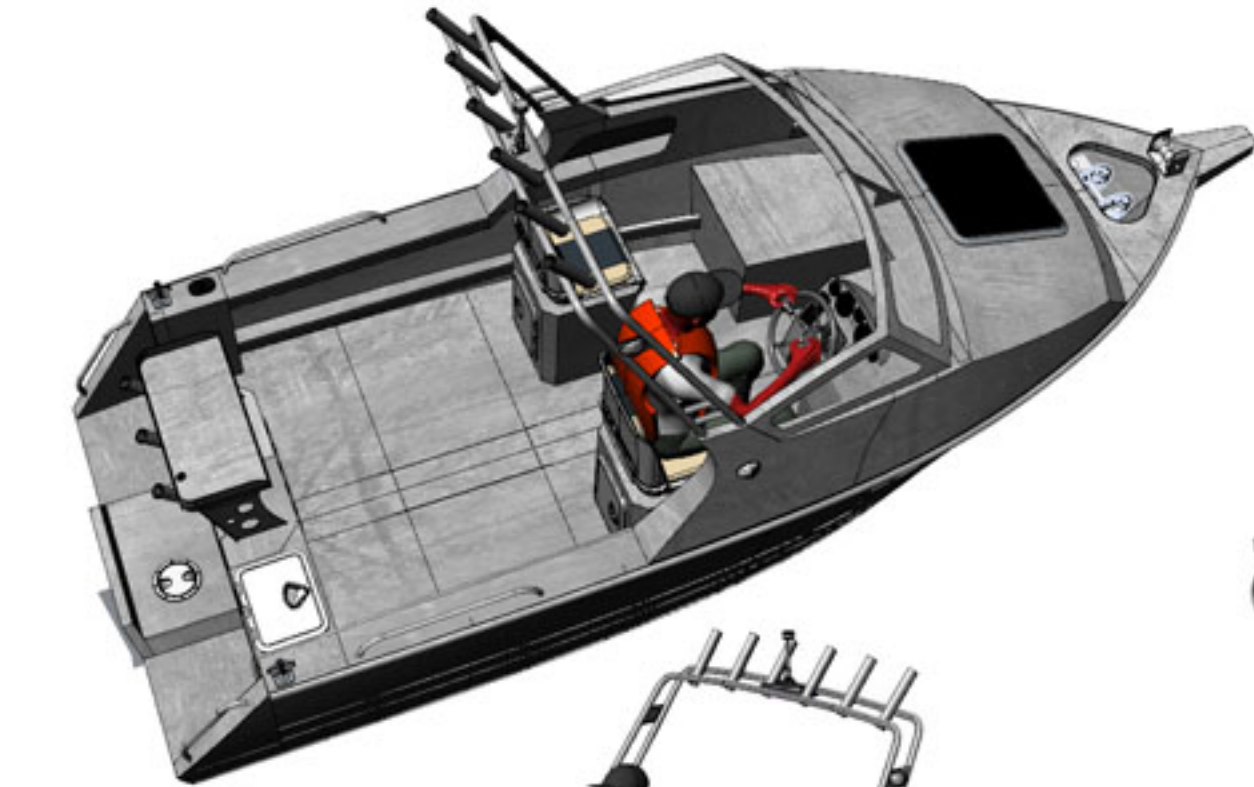
Note: Layout can be customised by owner.

4.8 RUNABOUT



PLATE ALLOY

www.platealloy.com





4.8 RUNABOUT



PLATE ALLOY

www.platealloy.com

