

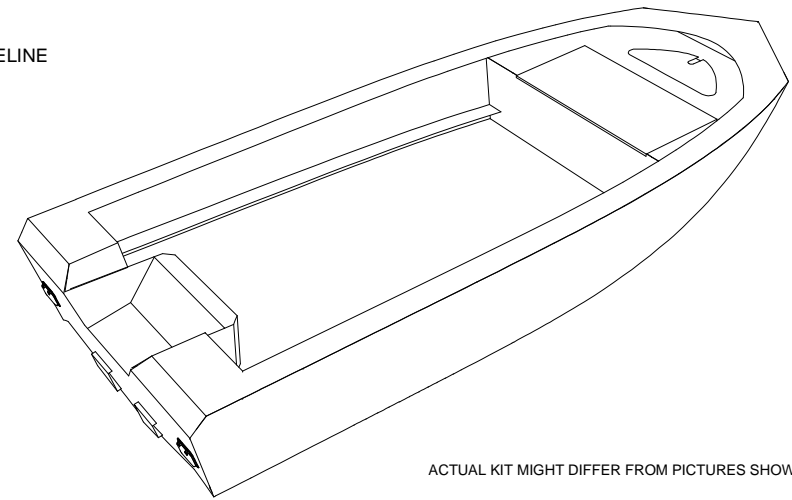
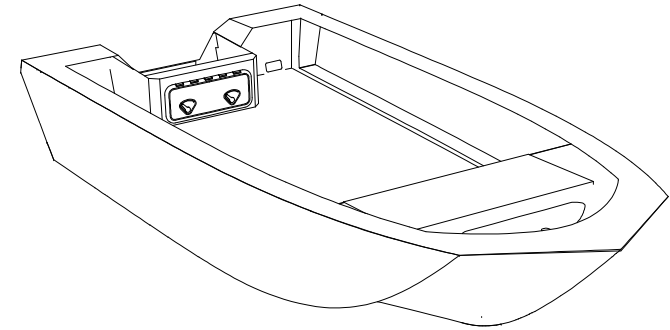
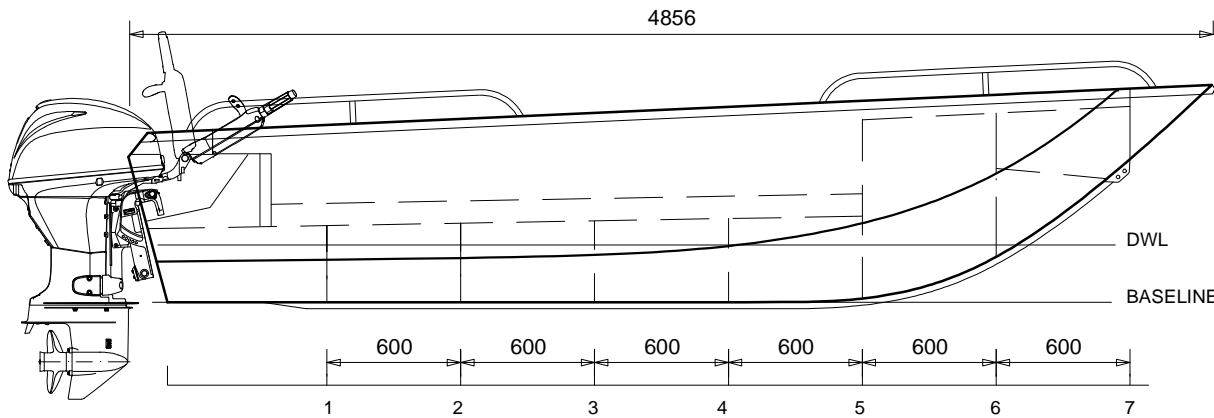
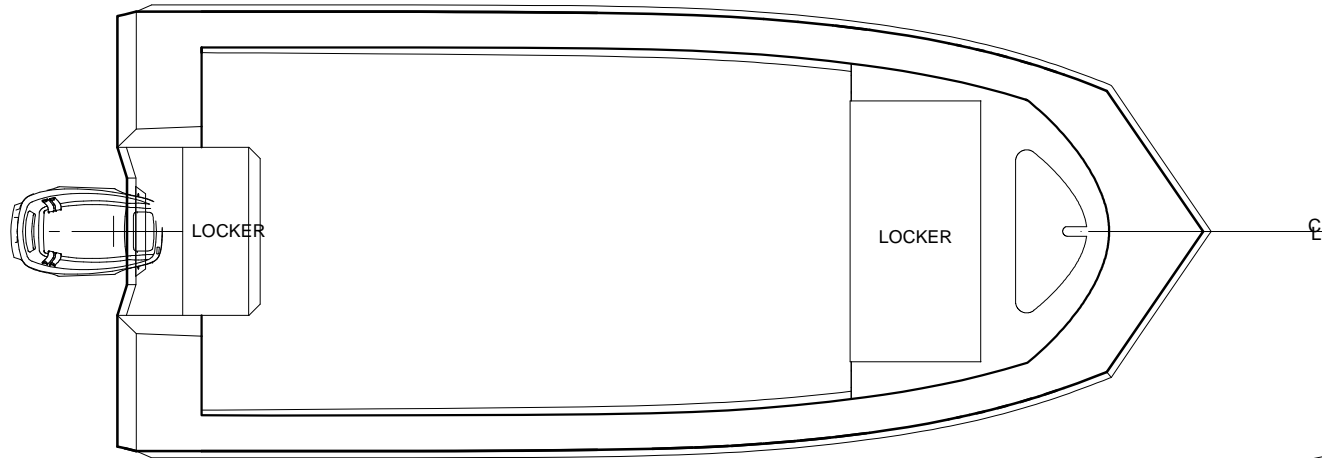
4.85m FLY FISHER

GENERAL ARRANGEMENT

PRINCIPAL PARTICULARS

LOA: 4.85 m (Hull Only)
 BEAM: 2.0 m
 DEPTH: 1.0 m
 DRAFT: 0.26m (HULL)
 D/RISE: 15° @ TRAN.
 DISPL: 450kg DRY -w- 50HP
 HULL TO BE FOAM FILLED

Note: Layout can be customised by owner
 Owner Advised to provide sun protection



ACTUAL KIT MIGHT DIFFER FROM PICTURES SHOWN

AUSTRALIAN BUILDERS PLATE	
BUILDER	- *YOUR NAME*
HIN AU	- *SEE REGISTRATION*
Max	90 hp
	140 kg
Max	4 = 360 kg
Max	4 + = 435 kg
Buoyancy BASIC Flotation	
Alteration of the boat's hull or permanent fittings may invalidate this plate. A REDUCED MAXIMUM NUMBER OF PERSONS MUST BE MADE IN ADVERSE WEATHER CONDITIONS OR WHEN ON THE OPEN SEA.	

- Design in compliance with AS1799-1 2009
- Structure in accordance with ISO 12215
- Material: ~~3mm~~ **3mm** plating 4mm 5083 aluminium. Aluminium decks.
- Builders plate, Jig, Drawings & Photo CD included with kit.
- Bollards, Inspection port & Drain plug included in the kit.
- 5 days per week helpdesk available
- Customization available.
- Flotation foam & most fit out parts available, check catalogue for pricing.
- HIN number engraved in kit & registered.

www.platealloy.com

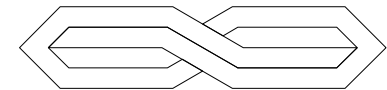


PLATE ALLOY

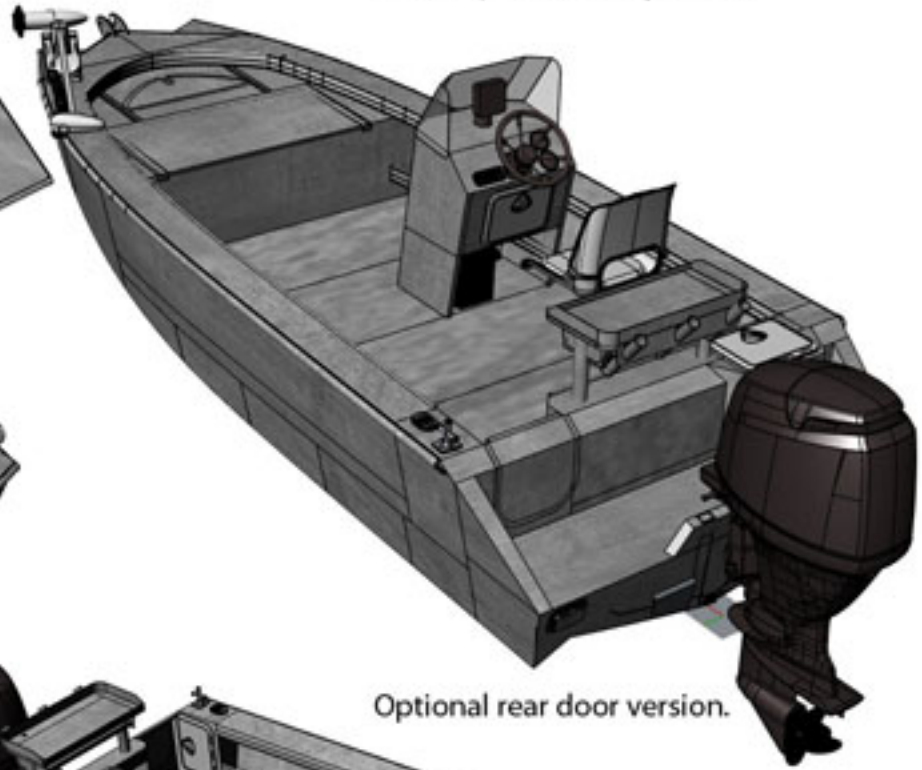
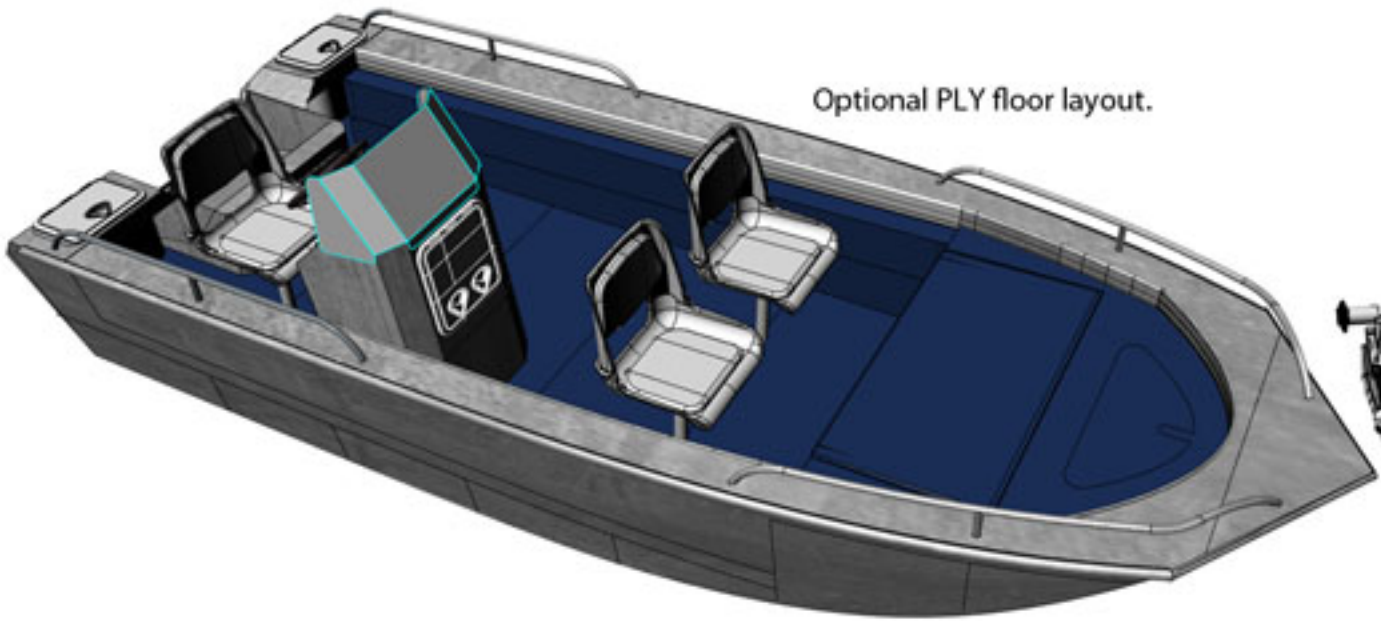
4.85 FLY FISHER



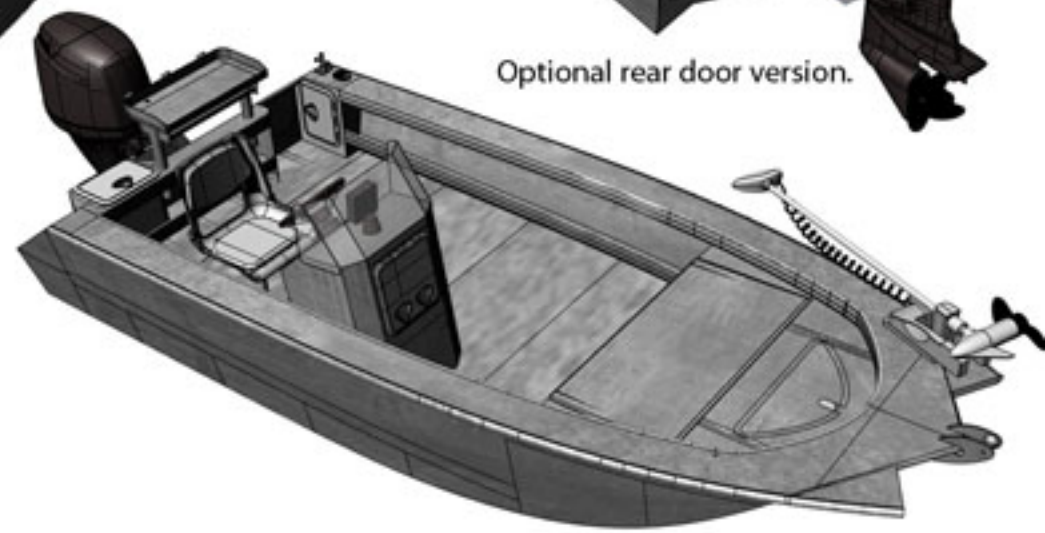
PLATE ALLOY

www.platealloy.com

Optional PLY floor layout.



Optional rear door version.



Different Console Option available, Custom change include casting deck option.



4.85 FLY FISHER



PLATE ALLOY

www.platealloy.com



Different Console Option available, Custom change include casting deck option.