

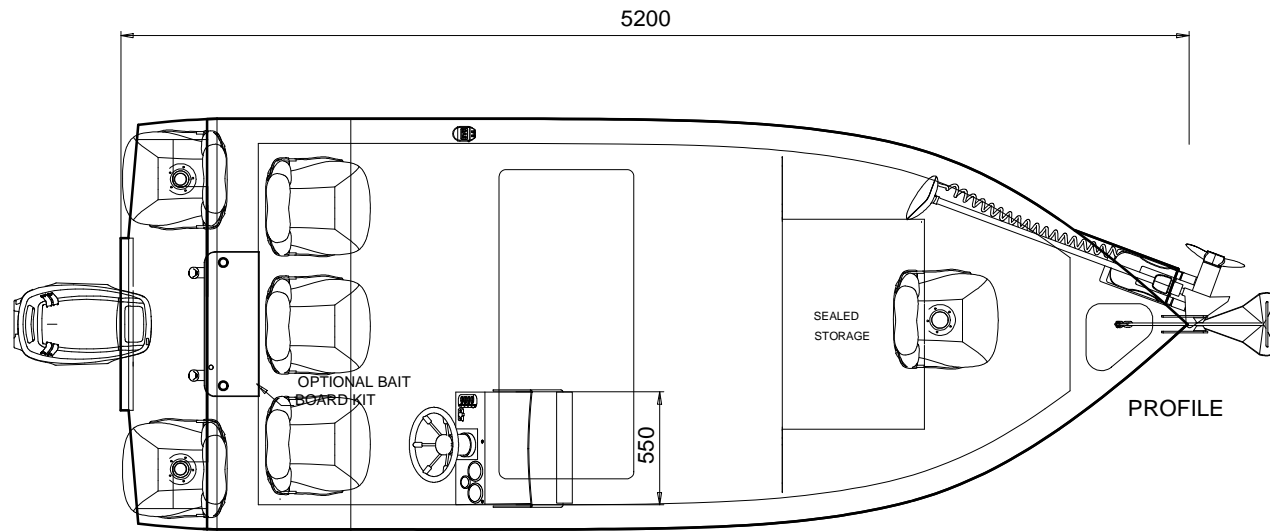
5.2m Adventurer (W/POD)

GENERAL ARRANGEMENT

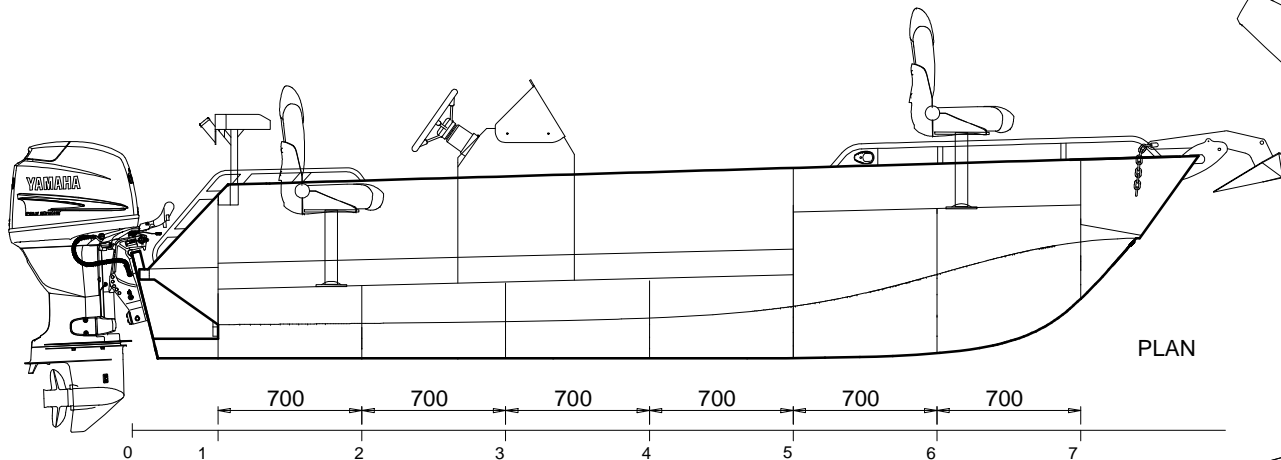
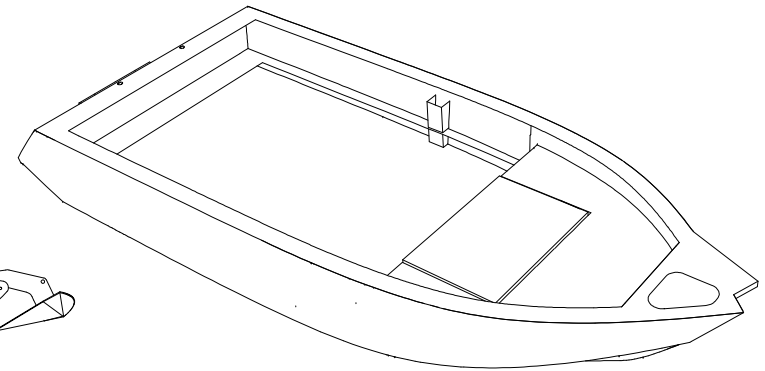
PRINCIPAL PARTICULARS

LOA: 5.20 m
 BEAM: 2.0 m
 DEPTH: 0.98 m
 DRAFT: 0.24m (HULL)
 D/RISE: 13° @ TRAN.
 DISPL: 700kg DRY -w- 130HP
 ENG: 20" (LONG)

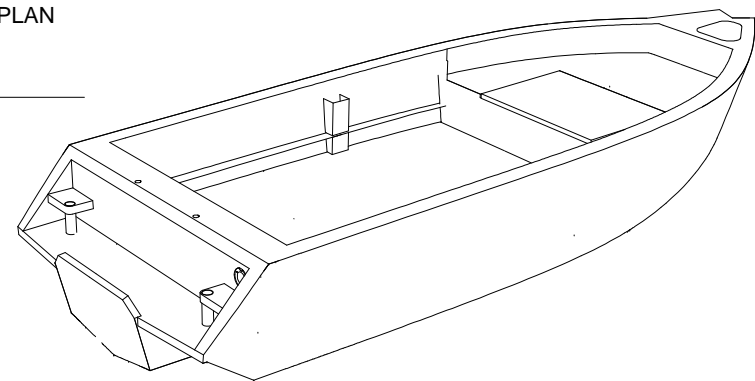
Boat hull to be foam filled.



PROFILE



PLAN



ACTUAL KIT MIGHT DIFFER FROM PICTURES SHOWN

Note: Layout can be customised by owner
 Owner Advised to provide sun protection

○ AUSTRALIAN BUILDERS PLATE ○

BUILDER "YOUR NAME"

HIN AU- "SEE REGISTRATION"

Max 130 hp
 270 kg

Max 7 630 kg

Max 1020 kg

Buoyancy BASIC Flotation

Alteration of the boat's hull or permanent fittings may invalidate the particulars on this plate.

A REDUCTION IN MAXIMUM NUMBER OF PERSONS MUST BE MADE IN ADVERSE WEATHER CONDITIONS OR WHEN ON THE OPEN SEA.

- Design in compliance with AS1799-1 2009
- Structure in accordance with ISO 12215
- Material: - Plating: 4mm 5083 aluminium.
 - Extrusions 6061 aluminium
- Builders plate, Jig, Drawings & Photo CD included with kit.
- Bollards, Scuppers, Inspection port & Drain plug included in the kit.
- 5 days per week helpdesk available
- Customization available.
- Flotation foam & most fit out parts available, check catalogue for pricing.
- HIN number engraved in kit & and registered.

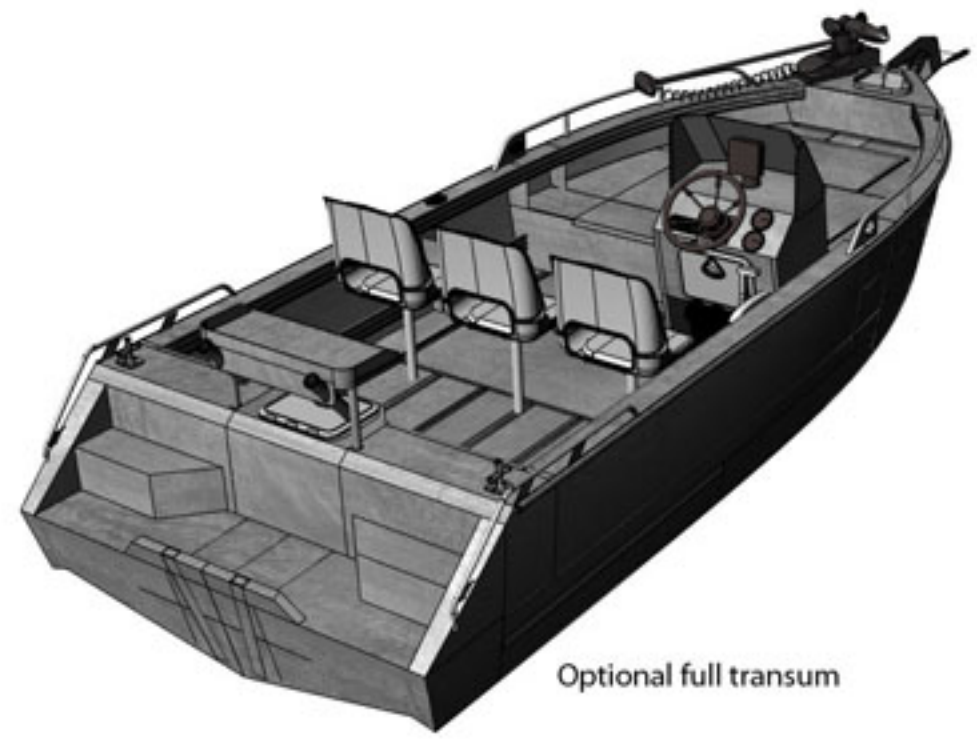
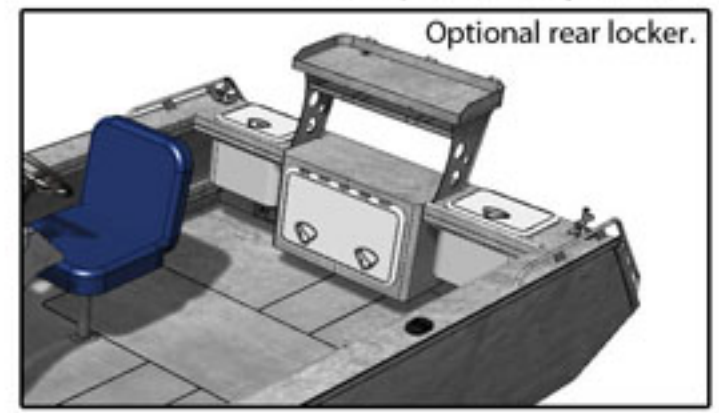
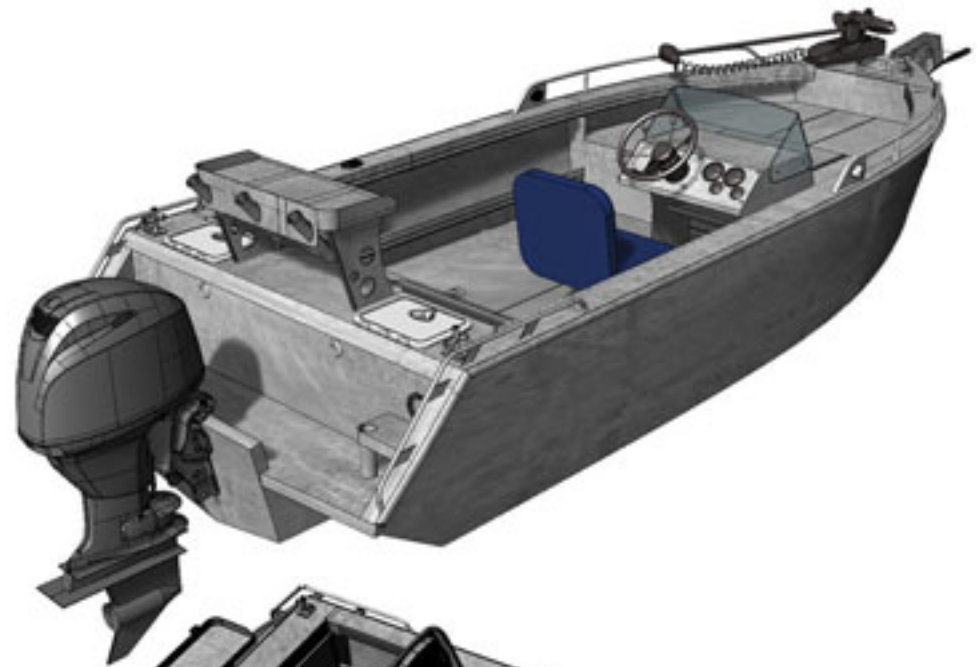
www.platealloy.com



5.2 ADVENTURER



PLATE ALLOY
www.platealloy.com



Different Console Option available, Custom change include casting deck option.



5.2 ADVENTURER



PLATE ALLOY

www.platealloy.com



Different Console Option available, Custom change include casting deck option.