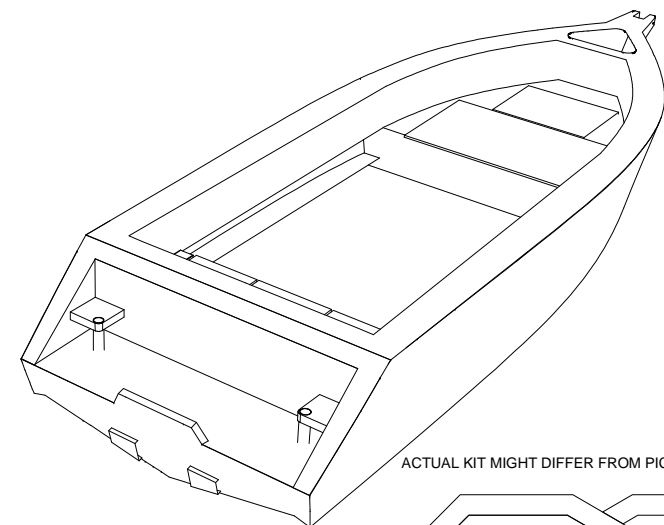
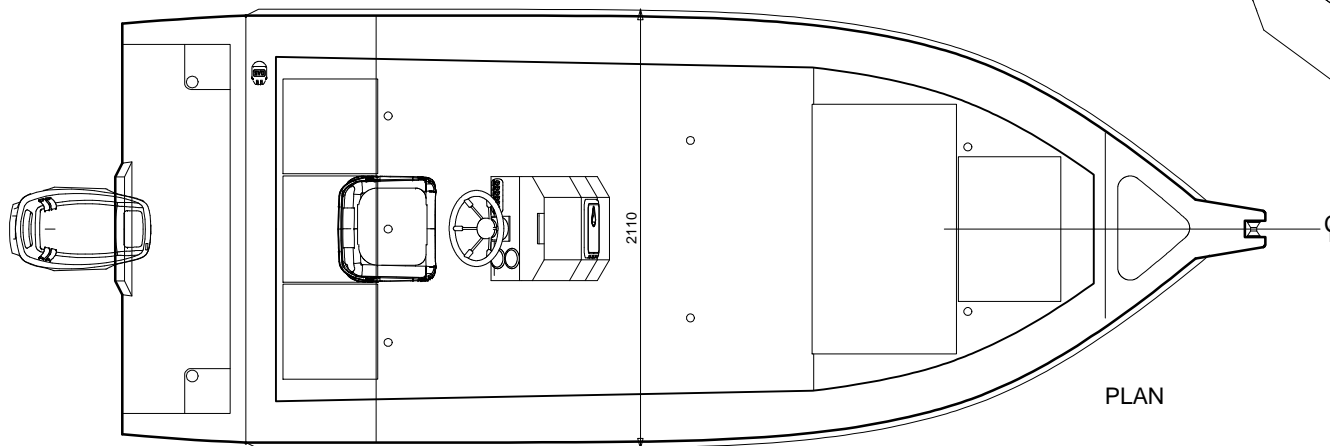
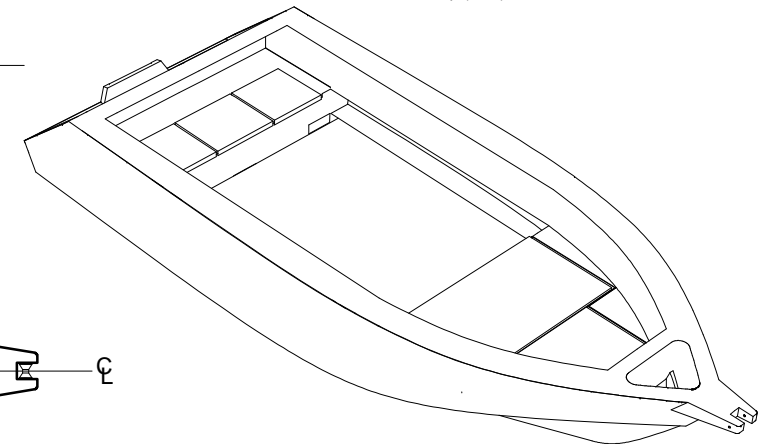
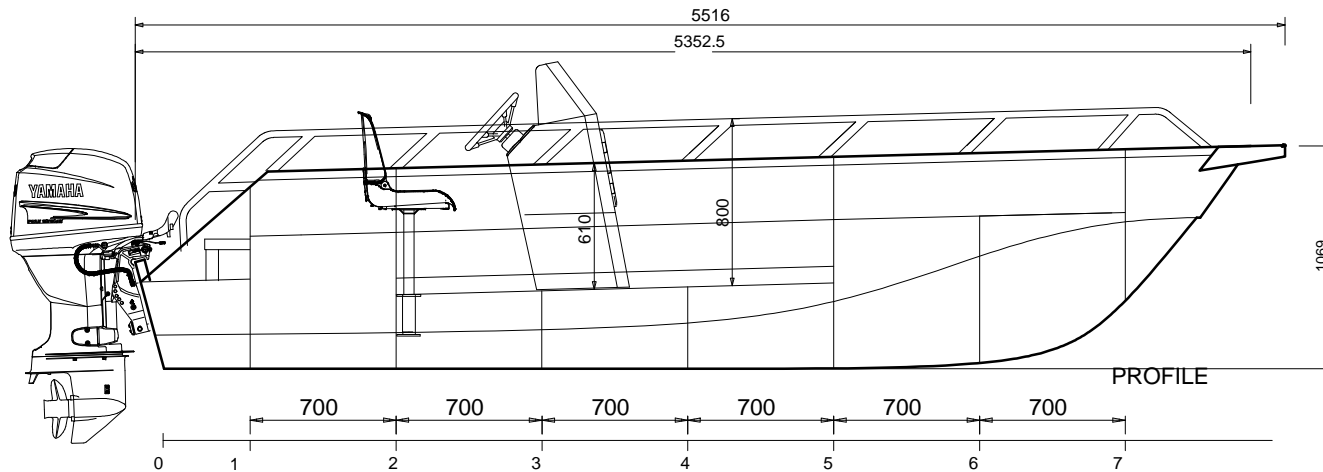


5.35m ADVENTURER

GENERAL ARRANGEMENT

PRINCIPAL PARTICULARS

LOA:	5.5 m
LENGTH:	5.35 m
BEAM:	2.11 m
DEPTH:	1.07 m
DRAFT:	0.3m (HULL)
D/RISE:	13° @ TRAN.
WEIGHT:	700kg DRY -w- 140HP
ENG:	20" (LONG)
H.P.:	115Hp (TBA)



ACTUAL KIT MIGHT DIFFER FROM PICTURES SHOWN

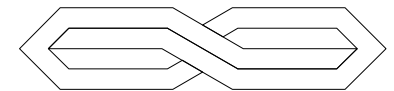


PLATE ALLOY

www.platealloy.com

Note: Layout can be customised by owner
Owner Advised to provide sun protection

AUSTRALIAN BUILDERS PLATE

BUILDER "YOUR NAME"

HIN AU- "SEE REGISTRATION"

Max 7 = 140 hp
= 270 kg

Max 6 = 540 kg

Max 7 + 7 + 7 = 850 kg

Buoyancy BASIC Flotation

⚠ Alteration of the boat's hull or permanent fittings may invalidate the particulars on this plate.

A REDUCTION IN MAXIMUM NUMBER OF PERSONS MUST BE MADE IN ADVERSE WEATHER CONDITIONS OR WHEN ON THE OPEN SEA.

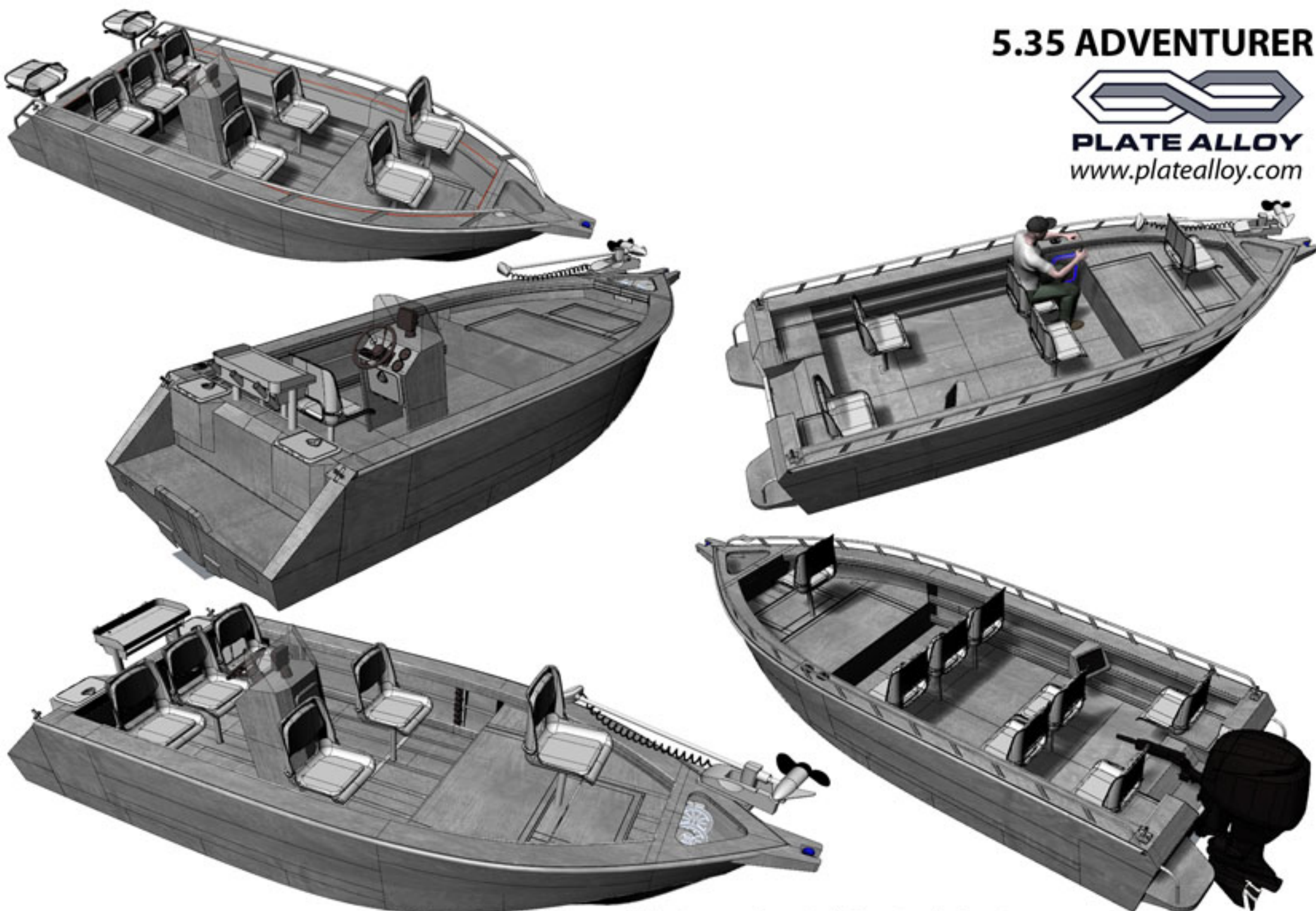
- Design in compliance with AS1799-1 2009
- Structure in accordance with ISO 12215
- material:
 - All plating 4mm 5083 aluminium.
 - All extrusions 6061 aluminium
- Builders plate, Jig, Drawings & Photo CD included with kit.
- Bollards, Scuppers, Inspection port & Drain plug included in the kit.
- 5 days per week helpdesk available
- Customization available.
- Flotation foam & most fit out parts available, check catalogue for pricing.
- HIN number engraved in kit & registered.

5.35 ADVENTURER



PLATE ALLOY

www.platealloy.com



Different Console Option available, Custom change include casting deck option.

5.35 ADVENTURER



PLATE ALLOY

www.platealloy.com



Different Console Option available, Custom change include casting deck option.