

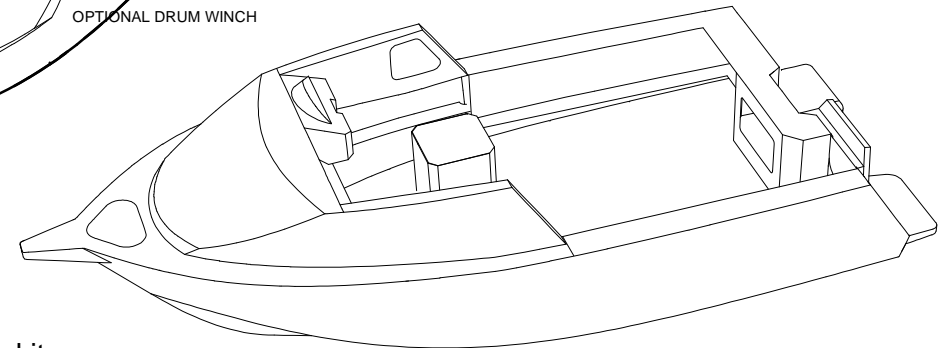
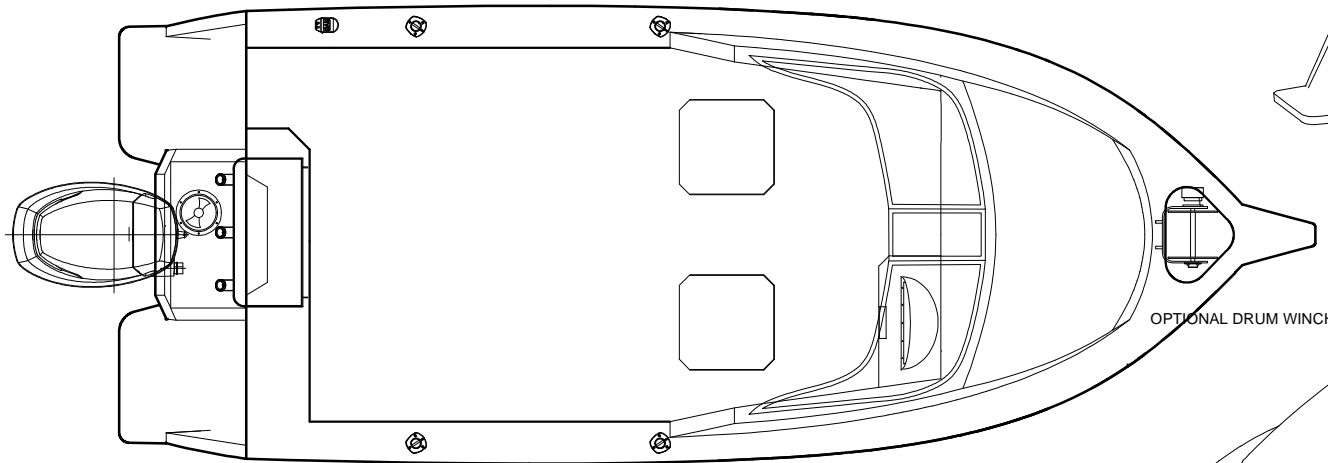
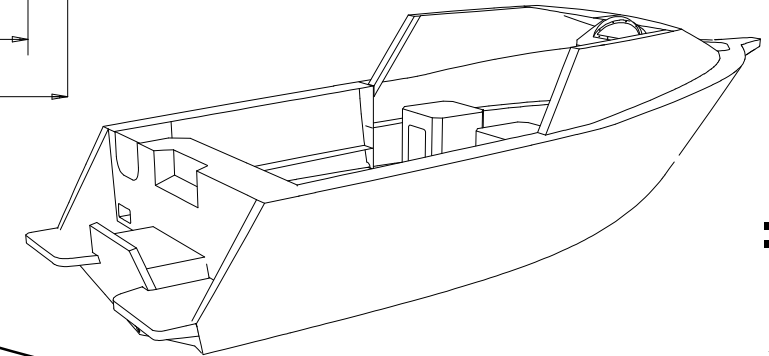
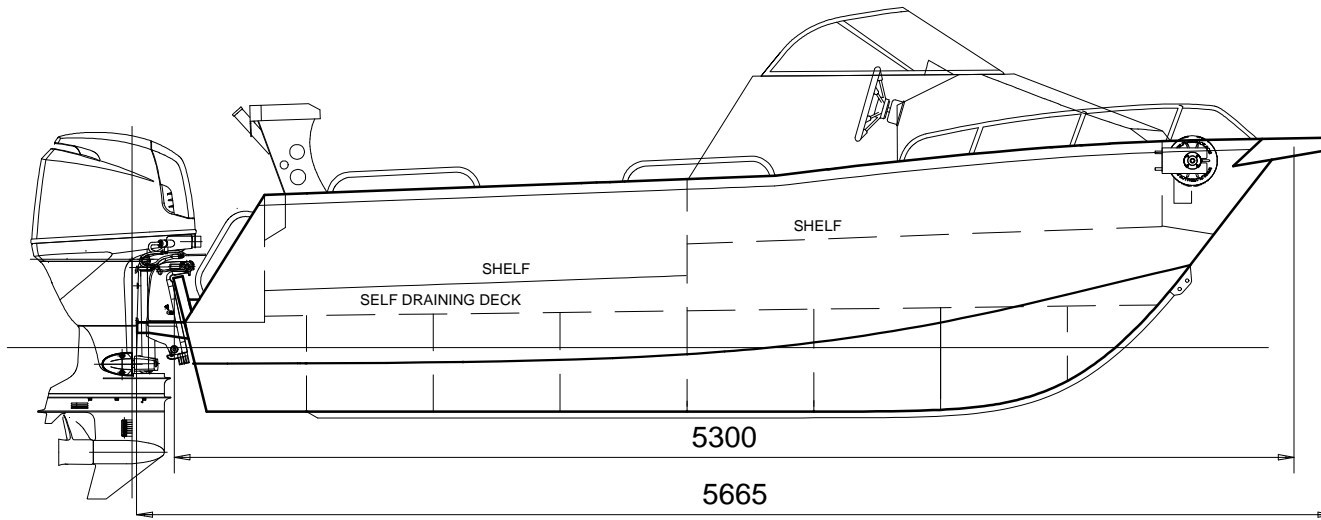
5.3m RUN - maxi

GENERAL ARRANGEMENT

PRINCIPAL PARTICULARS

LOA:	5.80 m (Hull Only)
BEAM:	2.25m
DEPTH:	1.03m
DRAFT:	0.275m (HULL)
D/RISE:	16° @ TRAN.
DISPL:	950kg DRY -w- 90HP

Boat hull to be foam filled.



www.platealloy.com

Note: Layout can be customised by owner.

AUSTRALIAN BUILDERS PLATE	
BUILDER	"YOUR NAME"
HIN AU	"SEE REGISTRATION"
Max	125 hp
	220 kg
Max	5 400 kg
Max	700 kg
Buoyancy BASIC Flotation	
<p>⚠ Alteration of the boat's hull or permanent fittings may invalidate the particulars on this plate.</p> <p>A REDUCTION IN MAXIMUM NUMBER OF PERSONS MUST BE MADE IN ADVERSE WEATHER CONDITIONS OR WHEN ON THE OPEN SEA.</p>	

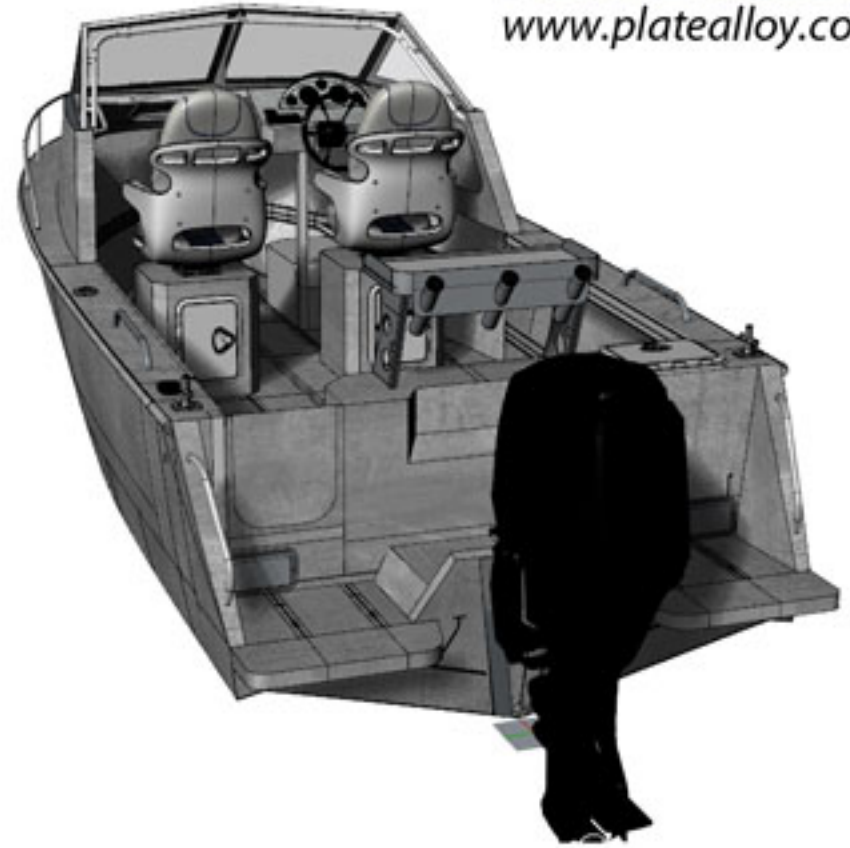
- Design in compliance with AS1799-1 2009
- Structure in accordance with ISO 12215
- Entire kit 4mm 5083 aluminium.
- Builders plate, Jig, Drawings & Photo CD included with kit.
- Bollards, Scuppers, Inspection port & Drain plug included in the kit.
- 5 days per week helpdesk available
- Customization available.
- Flotation foam & most fit out parts available, check catalogue for pricing.
- HIN number engraved in kit & and registered.

5.3 RUNABOUT



PLATE ALLOY

www.platealloy.com



Different Console Option available, Custom change include casting deck option.

5.3 RUNABOUT



PLATE ALLOY

www.platealloy.com



Different Console Option available, Custom change include casting deck option.