

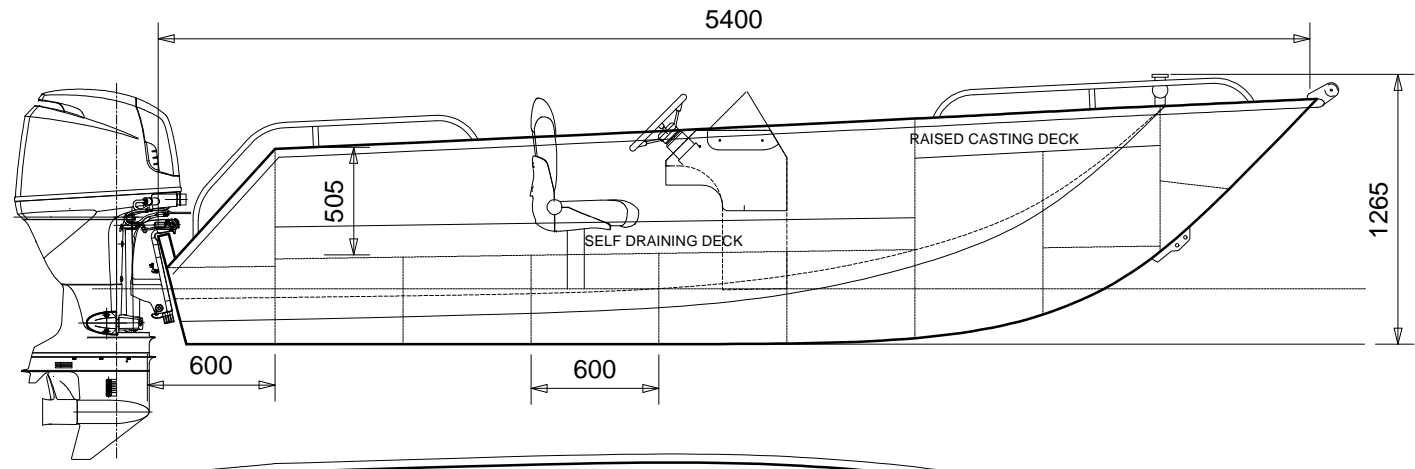
# 5.4m FLY FISHER

## GENERAL ARRANGEMENT

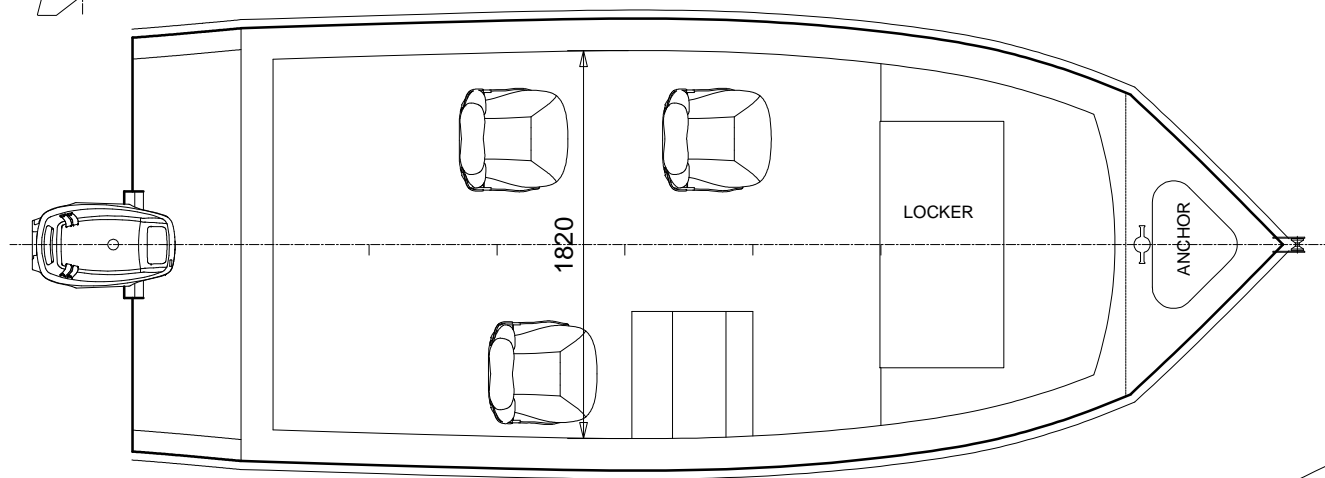
### PRINCIPAL PARTICULARS

LOA:	5.9 m (Hull Only)
LOA:	5.4 m (Hull Only)
BEAM:	2.2 m
DEPTH:	1.2 m
DRAFT:	0.26m (HULL)
D/RISE:	14° @ TRAN.
DISPL:	700kg DRY -w- 50HP

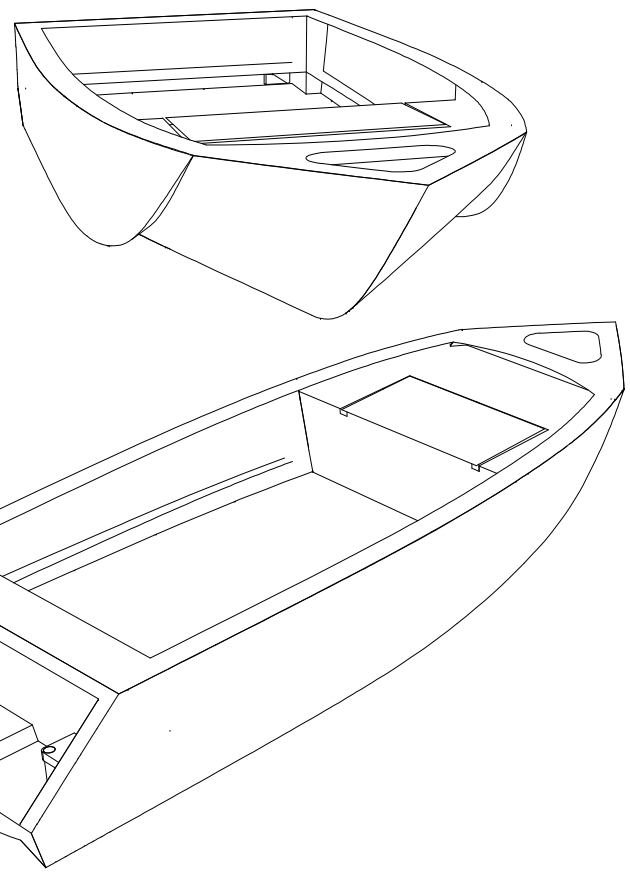
Boat hull to be foam filled.



Note: Layout can be customised by owner  
Owner Advised to provide sun protection



Seat socket position by owner.



**AUSTRALIAN BUILDERS PLATE**

BUILDER "YOUR NAME"

HIN AU- "SEE REGISTRATION"

Max 135 hp

Max 250 kg

Max 5 450 kg

Max 750 kg

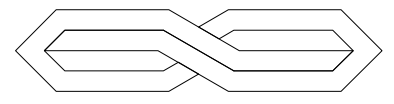
Buoyancy BASIC Flotation

Alteration of the boat's hull or permanent fittings may invalidate the particulars on this plate.

A REDUCTION IN MAXIMUM NUMBER OF PERSONS MUST BE MADE IN ADVERSE WEATHER CONDITIONS OR WHEN ON THE OPEN SEA.

- Design in compliance with AS1799-1 2009
- Structure in accordance with ISO 12215
- Entire kit 4mm 5083 aluminium.
- Builders plate, Jig, Drawings & Photo CD included with kit.
- Bollards, Scuppers, Inspection port & Drain plug included in the kit.
- 5 days per week helpdesk available
- Customization available.
- Flotation foam & most fit out parts available, check catalogue for pricing.
- HIN number engraved in kit & and registered.

ACTUAL KIT MIGHT DIFFER FROM PICTURES SHOWN



**PLATE ALLOY**

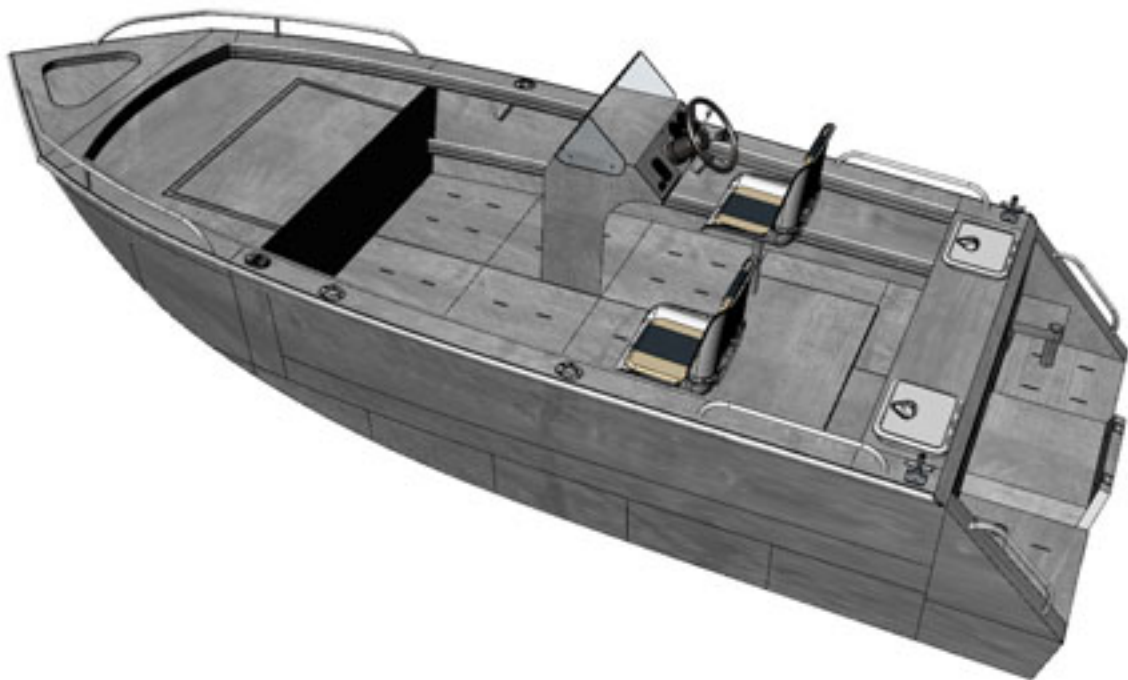
[www.platealloy.com](http://www.platealloy.com)

# 5.4 FLY FISHER

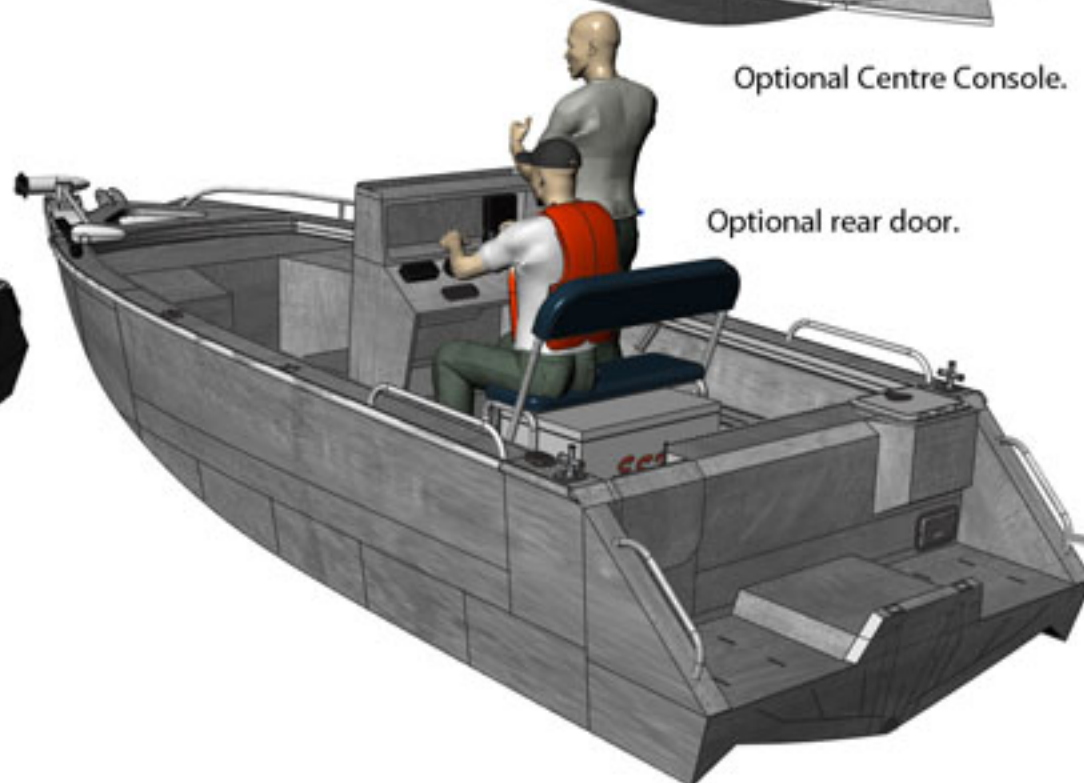


**PLATE ALLOY**

[www.platealloy.com](http://www.platealloy.com)



Optional Centre Console.



Optional rear door.

Different Console Option available, Custom change include casting deck option.



# 5.4 FLY FISHER



**PLATE ALLOY**

[www.platealloy.com](http://www.platealloy.com)



Build by Michael



Different Console Option available, Custom change include casting deck option.