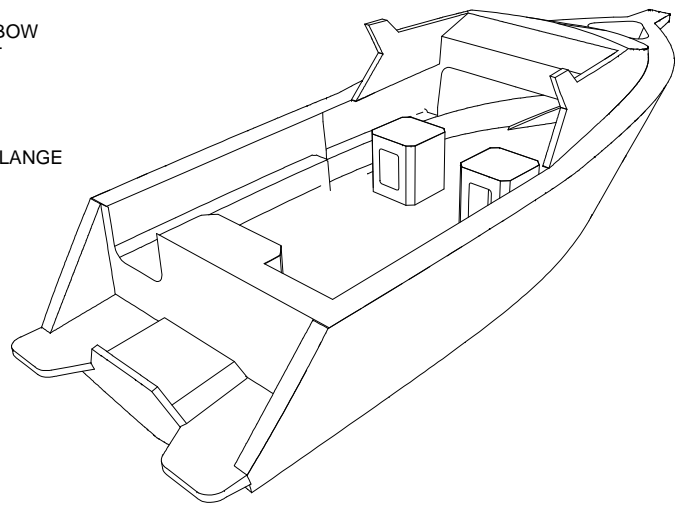
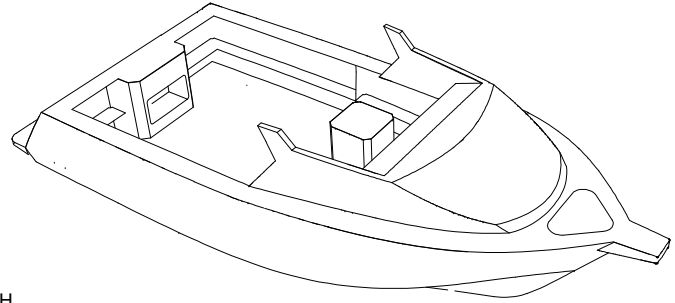
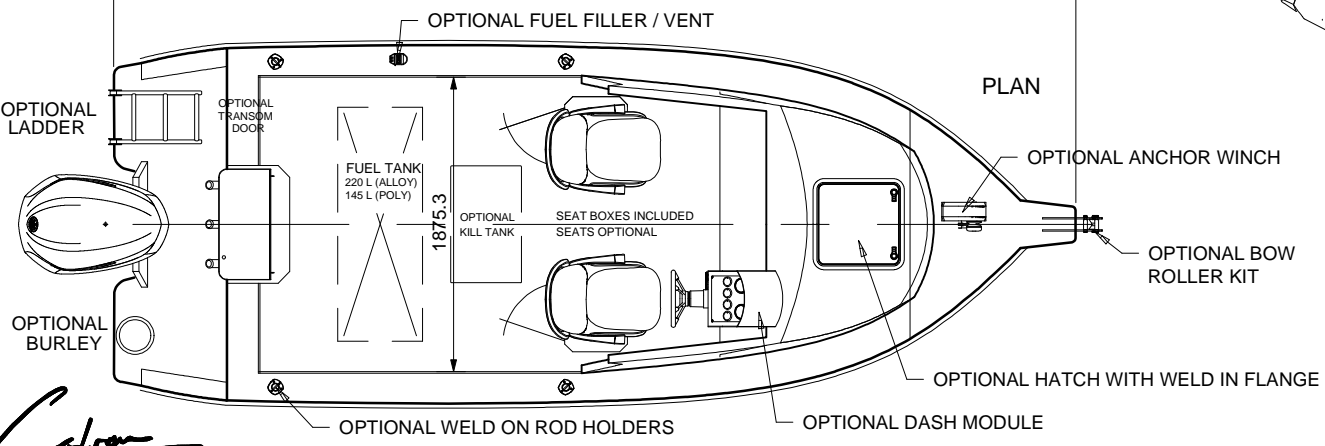
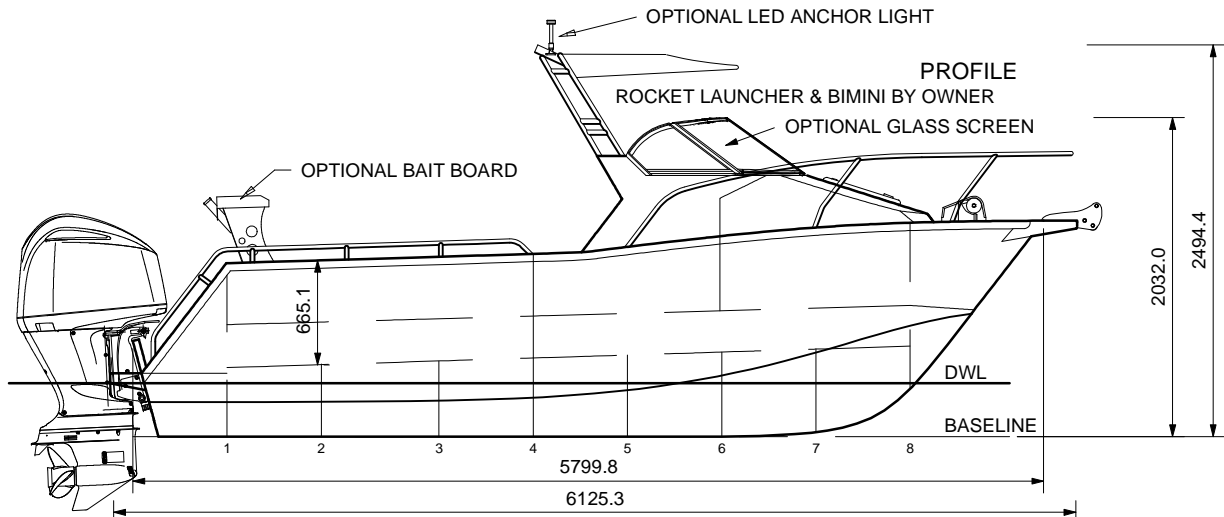


5.8m RUNABOUT GENERAL ARRANGEMENT

PRINCIPAL PARTICULARS
 LOH: 5.80 m (Hull Only)
 LOA: 6.12 m (Excluding Outboard)
 BEAM: 2.35m
 DEPTH: 1.10m
 DRAFT: 0.35m (HULL)
 D/RISE: 15° @ TRAN.
 DISPL: 1100kg DRY -w- 150HP
 ENG: 25" (XL SHAFT)
 RATED: 150 HP MAX.
 Boat hull to be foam filled.

Note: Layout can be customised by owner
Owner Advised to provide sun protection



ACTUAL KIT MIGHT DIFFER FROM PICTURES SHOWN

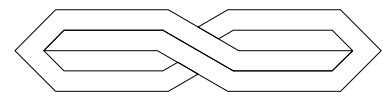


PLATE ALLOY

www.platealloy.com

Crabtree

AUSTRALIAN BUILDERS PLATE
 BUILDER "YOUR NAME"
 HIN AU- "SEE REGISTRATION"
 Max 7 = 170 hp
 = 250 kg
 Max 6 = 480 kg
 Max 7 + 6 + 6 = 880 kg
 Buoyancy BASIC Flotation

⚠ Alteration of the boat's hull or permanent fittings may invalidate the particulars on this plate.
 A REDUCTION IN MAXIMUM NUMBER OF PERSONS MUST BE MADE IN ADVERSE WEATHER CONDITIONS OR WHEN ON THE OPEN SEA.

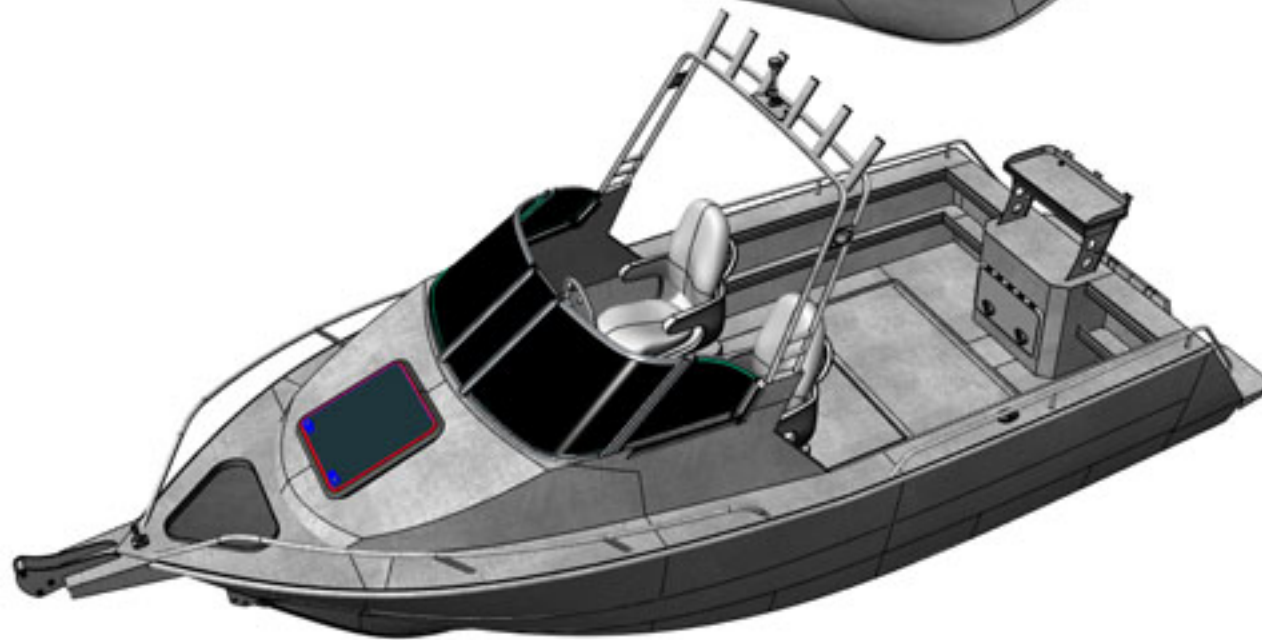
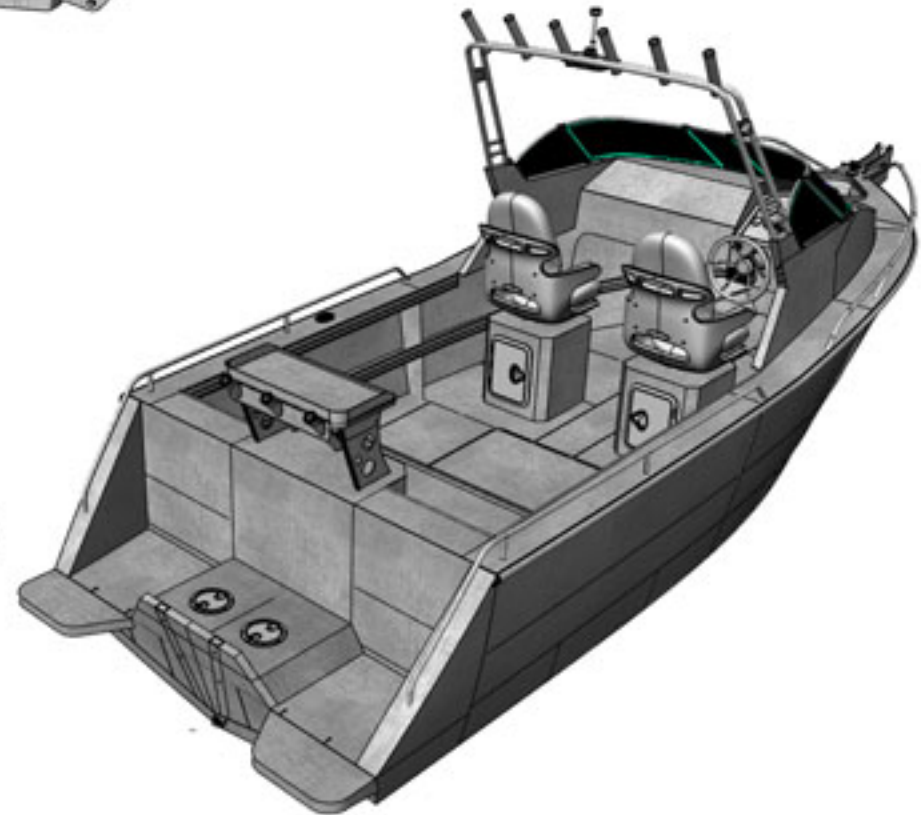
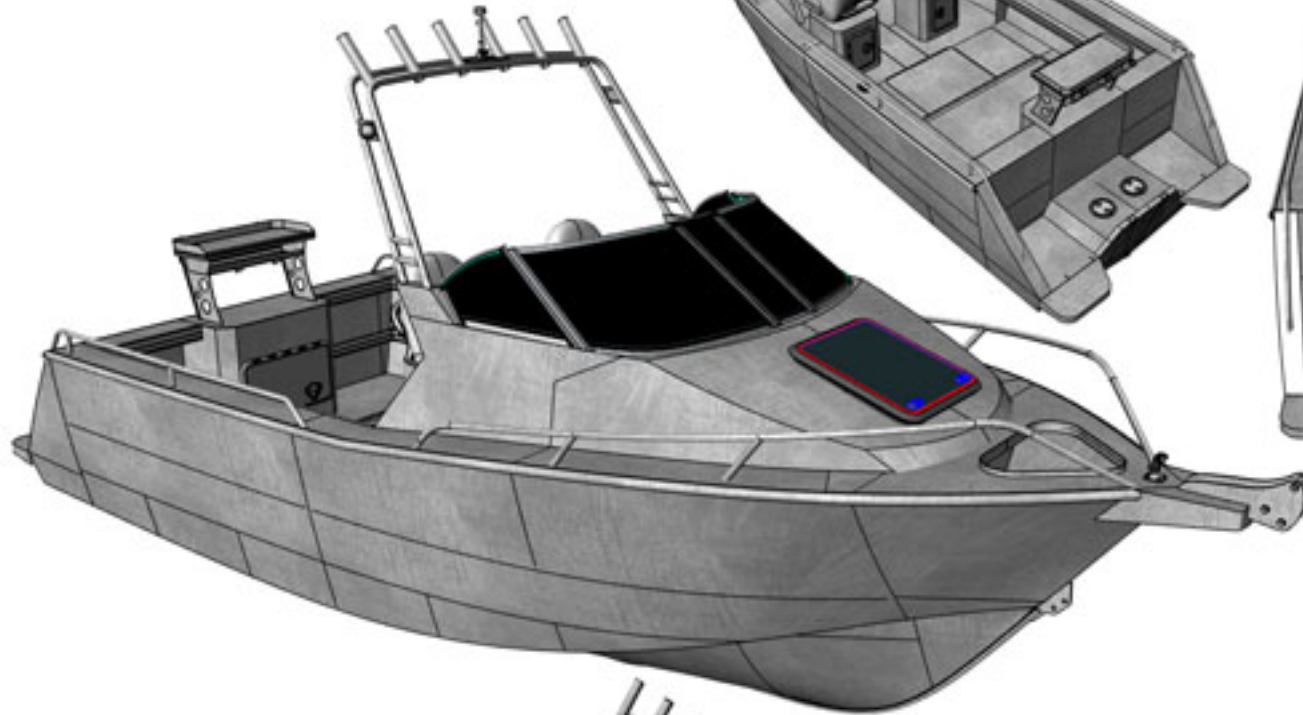
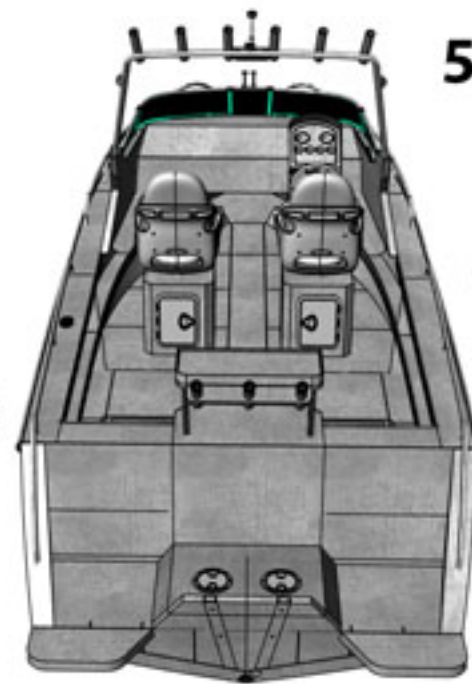
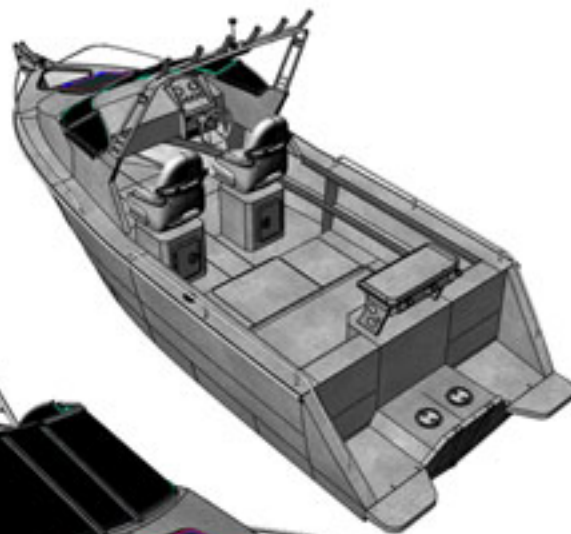
- Design in compliance with AS1799-1 2009
- Structure in accordance with ISO 12215
- material: - Bottom, Chine, Transom & Stringers, 5mm 5083 aluminium.
 - Sides, Deck, Cuddy, etc. 4mm 5083 Aluminium
- Builders plate, Jig, Drawings & Photo CD included with kit.
- Bollards, Scuppers, Inspection port & Drain plug included in the kit.
- 5 days per week helpdesk available
- Customization available.
- Flotation foam & most fit out parts available, check catalogue for pricing.
- HIN number engraved in kit & registered.
- Insurance available, call us for a quote.

5.8 RUNABOUT



PLATE ALLOY

www.platealloy.com





5.8 RUNABOUT



PLATE ALLOY

www.platealloy.com

