

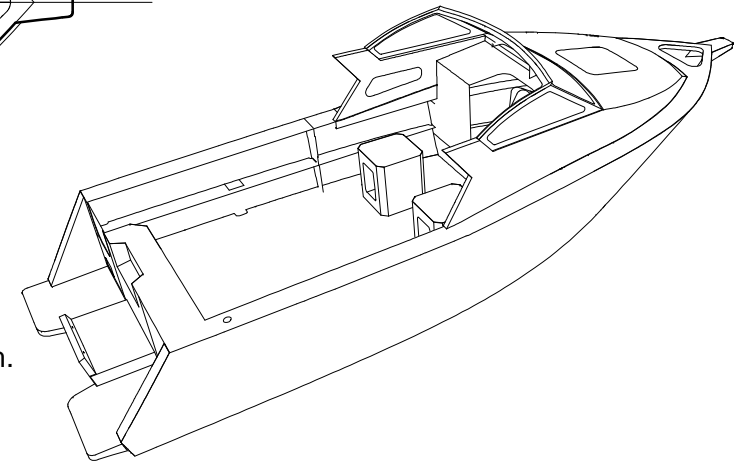
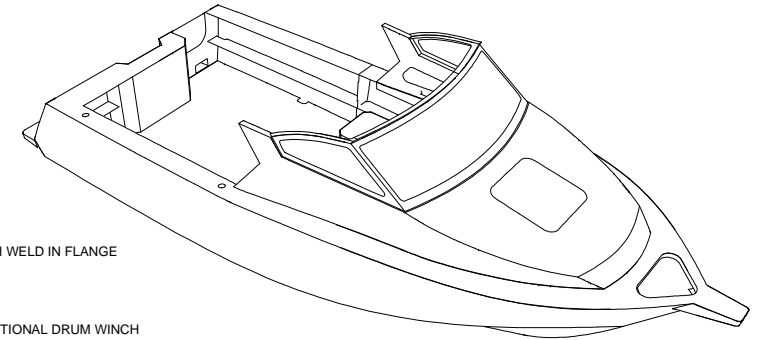
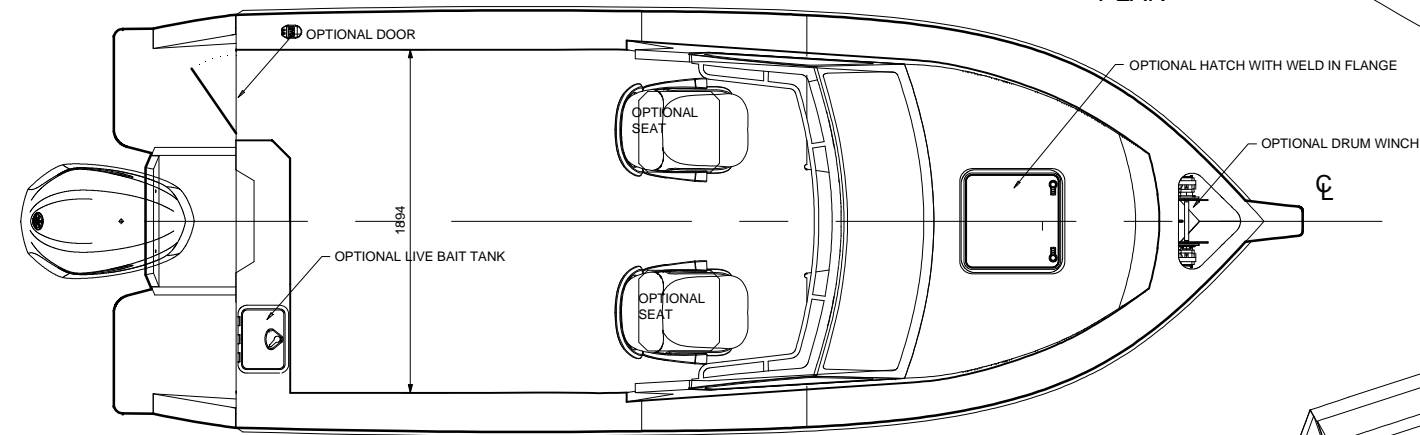
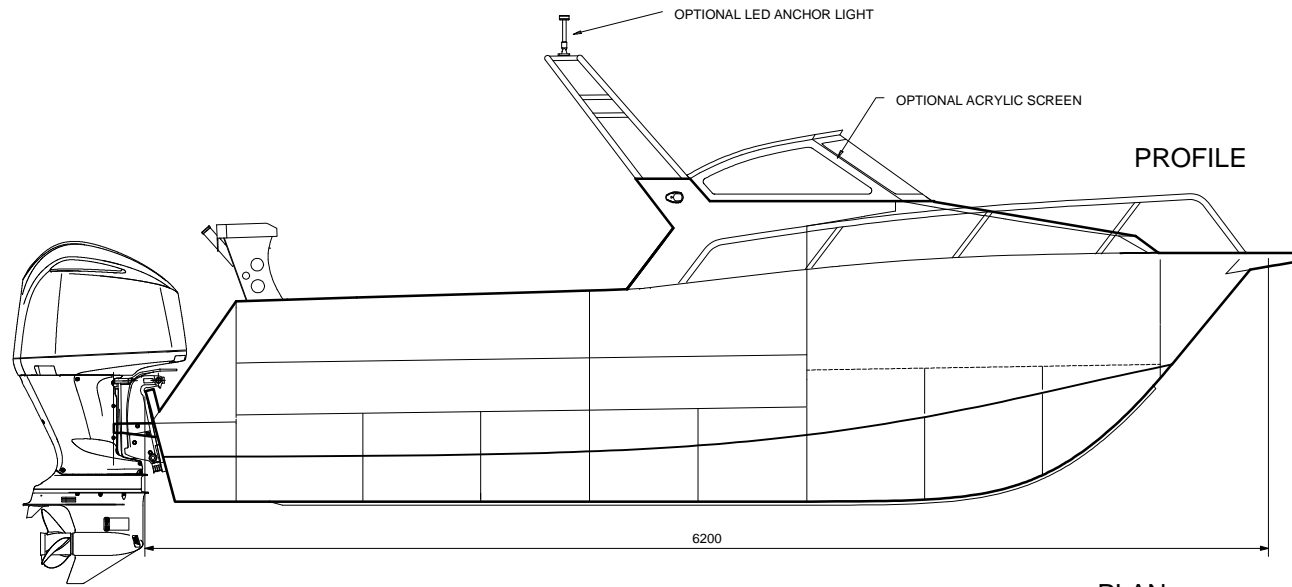
6.2m CUDDY CABIN

GENERAL ARRANGEMENT

PRINCIPAL PARTICULARS

LOH: 6.20 m (Hull Only)
 BEAM: 2.35m
 DEPTH: 1.11m
 DRAFT: 0.350m (HULL)
 D/RISE: 16° @ TRAN.
 DISPL: 1500kg DRY -w- 150HP

Boat hull to be foam filled.



www.platealloy.com

AUSTRALIAN BUILDERS PLATE

BUILDER *YOUR NAME*

HIN AU- *SEE REGISTRATION*

Max \uparrow = 188 hp

Max \uparrow = 275 kg

Max \uparrow 6 = 540 kg

Max \uparrow + \uparrow + \uparrow = 825 kg

Buoyancy BASIC Flotation

Alteration of the boat's hull or permanent fittings may invalidate the particulars on this plate.

A REDUCTION IN MAXIMUM NUMBER OF PERSONS MUST BE MADE IN ADVERSE WEATHER CONDITIONS OR WHEN ON THE OPEN SEA.

- Design in compliance with AS1799-1 2009
- Structure in accordance with ISO 12215
- material:
 - Bottom, Chine, Transom & Stringers, 5mm 5083 aluminium.
 - Sides, Deck, Cuddy, etc. 4mm 5083 Aluminium
- Builders plate, Jig, Drawings & Photo CD included with kit.
- Bollards, Scuppers, Inspection port & Drain plug included in the kit.
- 5 days per week helpdesk available
- Customization available.
- Flotation foam & most fit out parts available, check catalogue for pricing.
- HIN number engraved in kit & registered.

ACTUAL KIT MIGHT DIFFER FROM PICTURES SHOWN

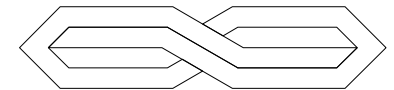


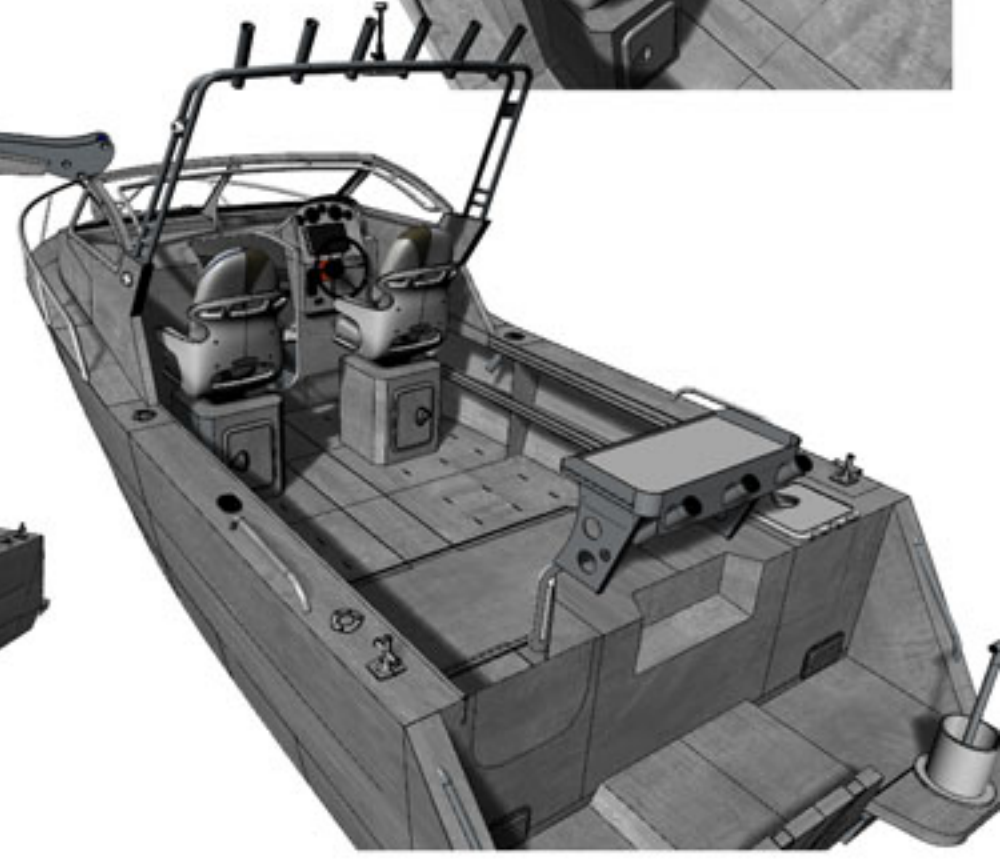
PLATE ALLOY

6.2 CUDDY CAB



PLATE ALLOY

www.platealloy.com



6.2 CUDDY CAB



PLATE ALLOY

www.platealloy.com

