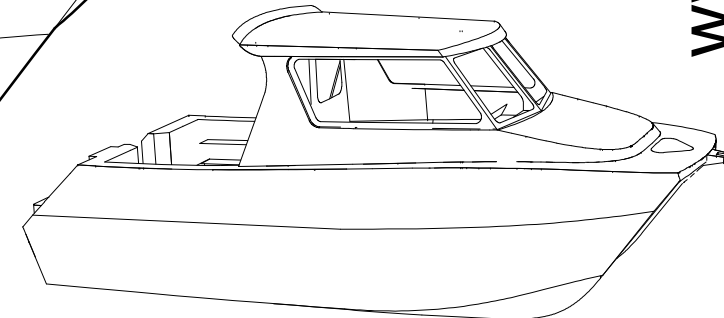
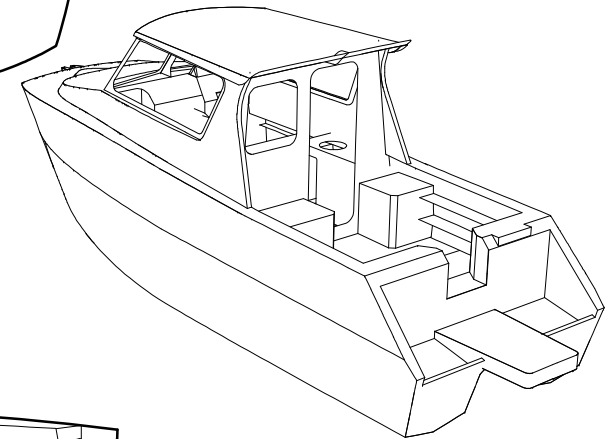
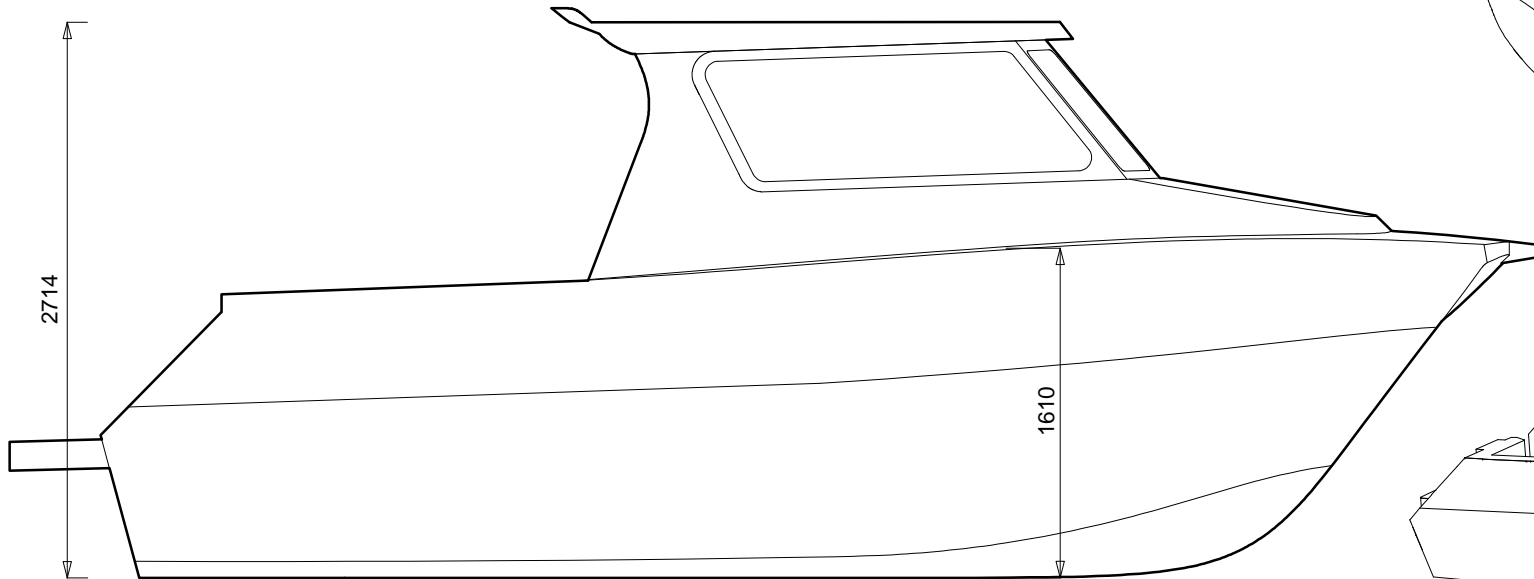
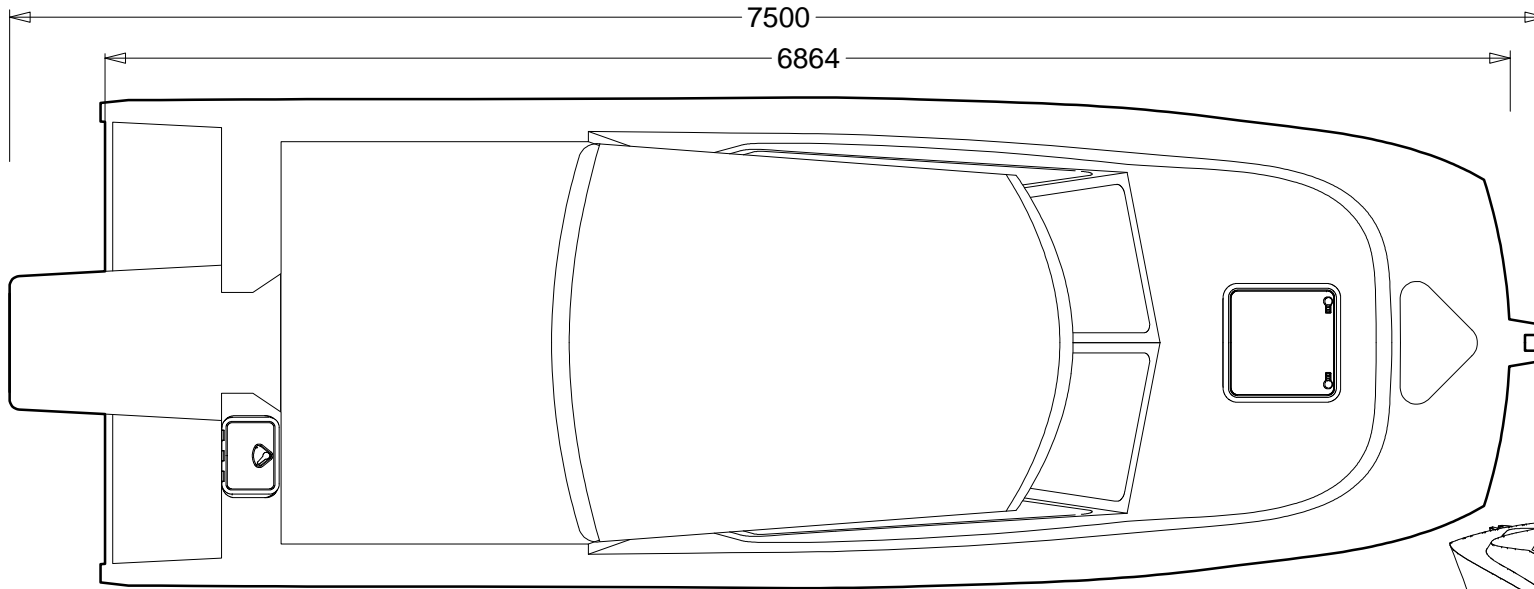


6.8m Catamaran Hardtop Layout

GENERAL ARRANGEMENT PRINCIPAL PARTICULARS

LOA:	7.5 m
LOH:	6.86 m (Hull Only)
BEAM:	2.45m
DEPTH:	1.6m
DRAFT:	0.250m
D/RISE:	13° @ TRAN.

Boat hull to be foam filled.



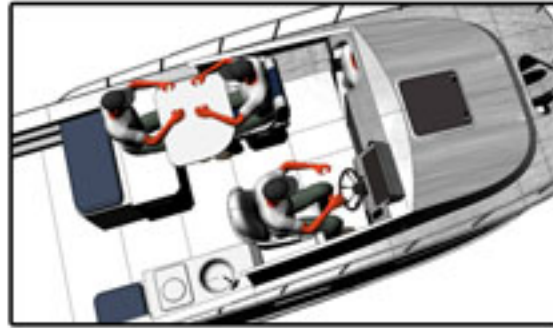
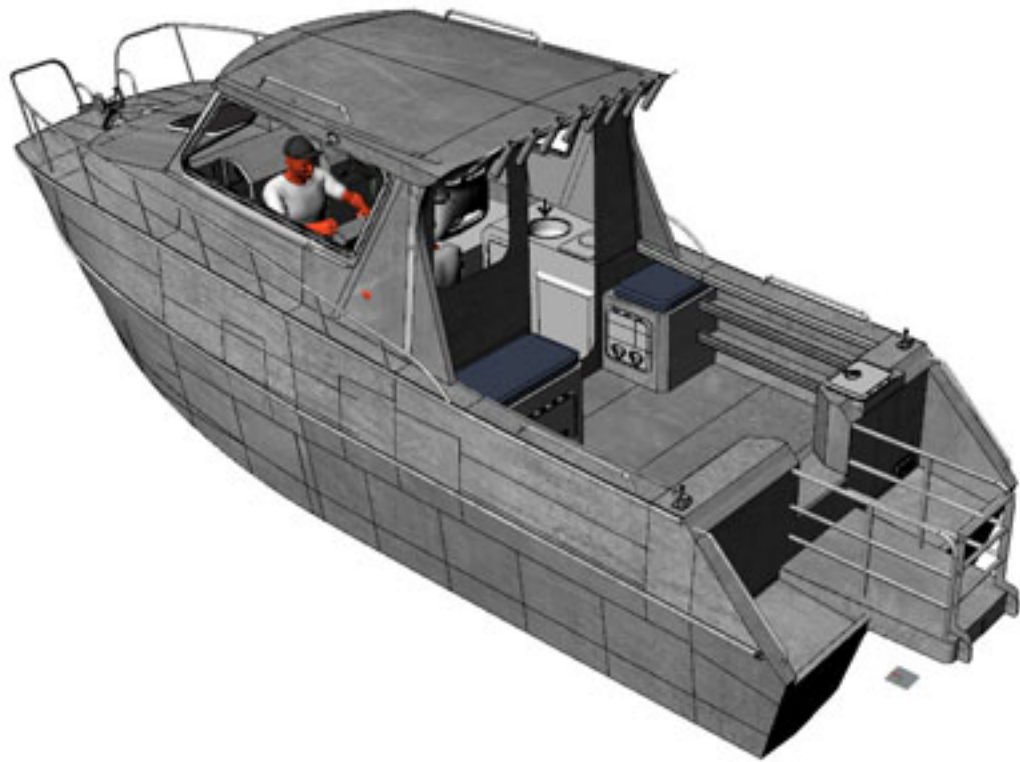
ACTUAL KIT MIGHT DIFFER FROM PICTURES SHOWN



PLATE ALLOY

www.platealloy.com

Note: Layout can be customised by owner
Owner Advised to provide sun protection



6.8 POWERCAT



PLATE ALLOY

www.platealloy.com



Custom Cabin.

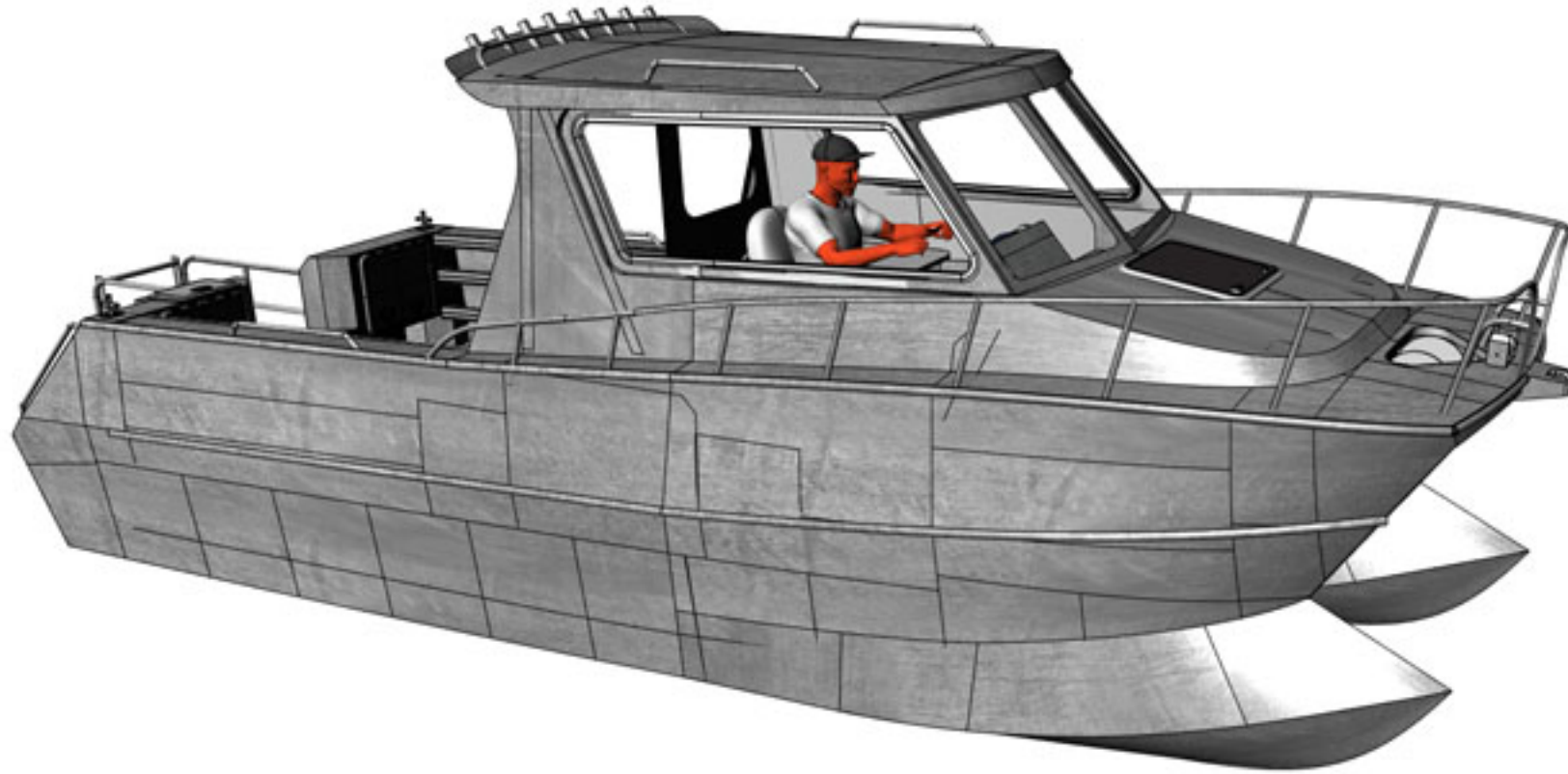


6.8 POWERCAT



PLATE ALLOY

www.platealloy.com



Z Bow version.

