

6.8m CENTRE CONSOLE

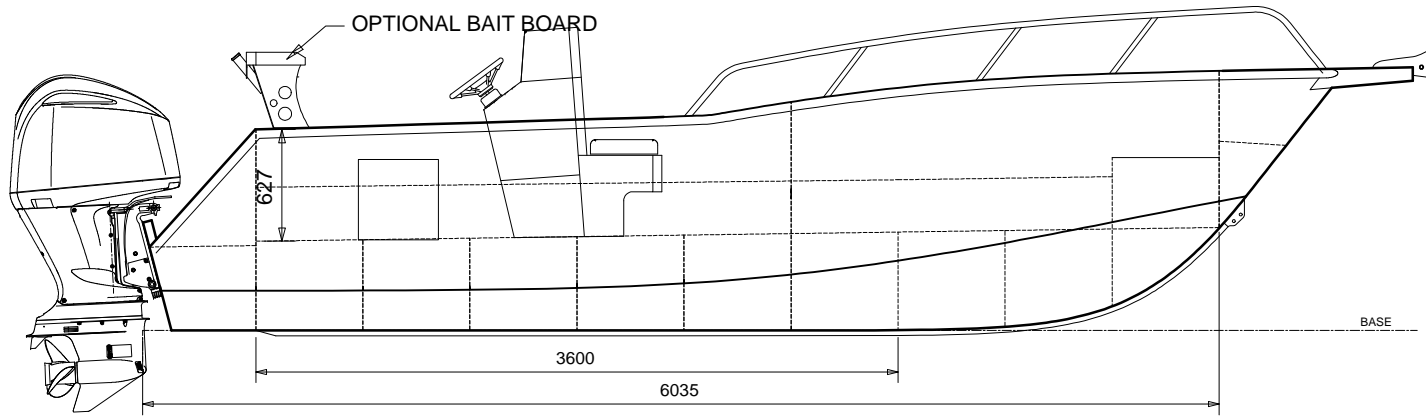
GENERAL ARRANGEMENT

PRINCIPAL PARTICULARS

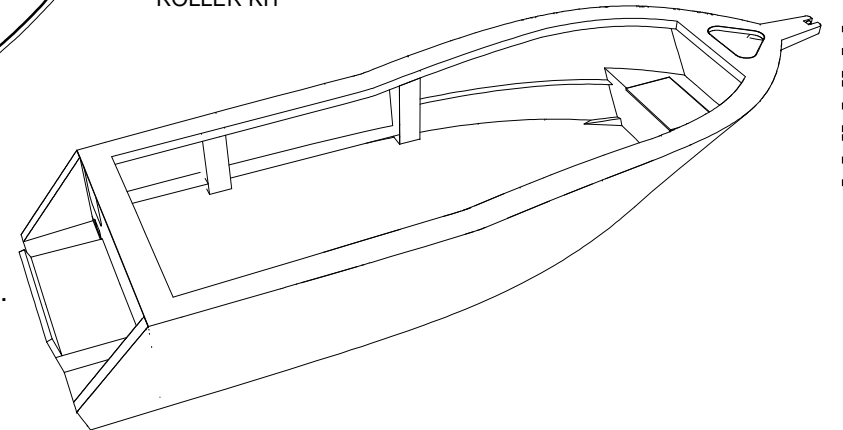
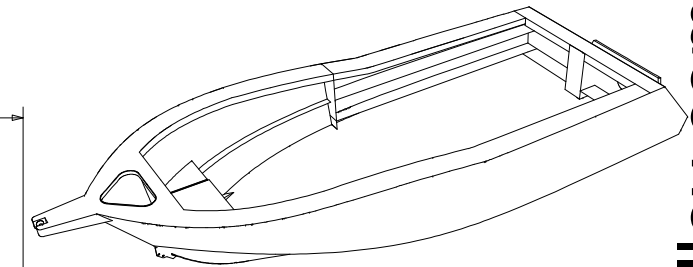
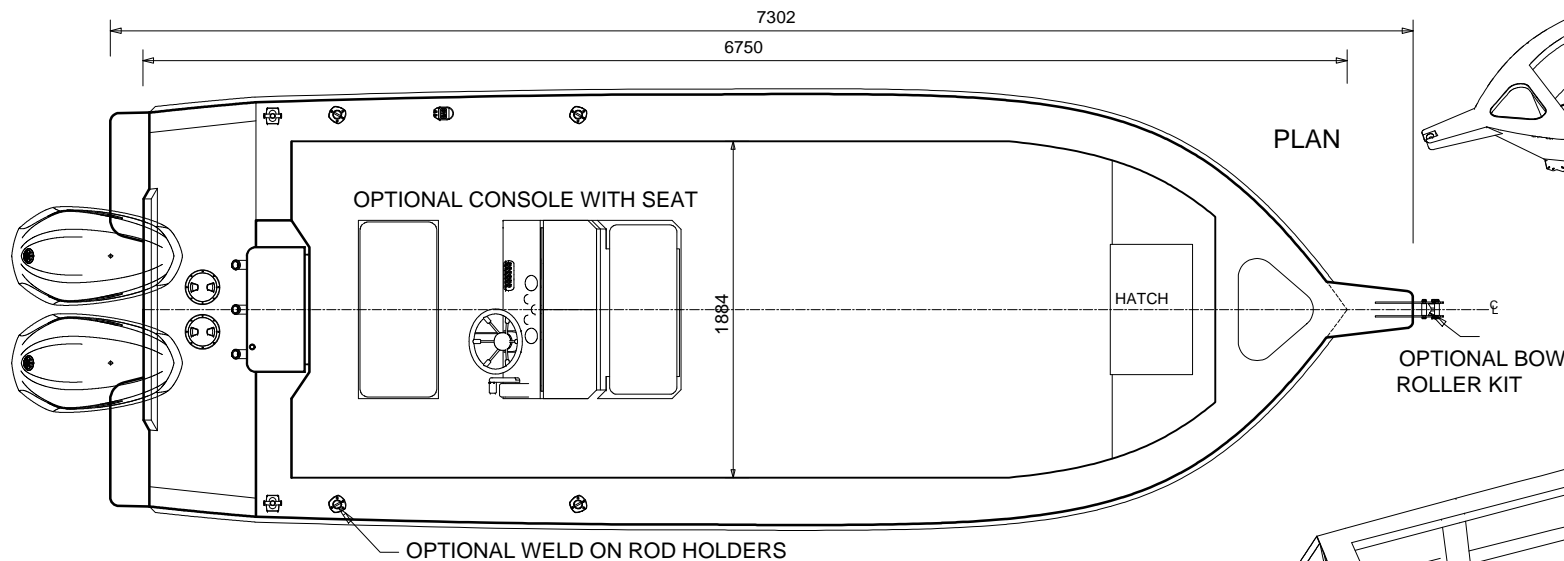
LENGTH OVER ALL: 7.17m
 LENGTH HULL: 6.80m
 BEAM: 2.45m
 DEPTH: 1.12m
 DRAFT: 0.38m
 DEADRISE: 16 degrees
 DISPLACEMENT: 1.80 tonnes
 RECOMMENDED POWER: 175 hp
 MAXIMUM POWER: 225 hp

Boat hull to be foam filled.

PROFILE



PLAN



www.platealloy.com

Note: Layout can be customised by owner
Owner Advised to provide sun protection

AUSTRALIAN BUILDERS PLATE
 BUILDER "YOUR NAME"
 "SEE REGISTRATION"
 Max 180 hp
 Max 275 kg
 Max 5 400 kg
 Max 739 kg
 Buoyancy BASIC Flotation
 Alteration of the boat's hull or permanent fittings may invalidate the particulars on this plate.
 A REDUCTION IN MAXIMUM NUMBER OF PERSONS MUST BE MADE IN ADVERSE WEATHER CONDITIONS OR WHEN ON THE OPEN SEA.

- Design in compliance with AS1799-1 2009
- Structure in accordance with ISO 12215
- **Slush Deck**, - Bottom, Chine, Transom & Stringers, 5mm 5083 aluminium.
- Cuddy, etc. 4mm 5083 aluminium
- Builders plate, Jig, Drawings & Photo CD included with kit.
- Bollards, Scuppers, Inspection port & Drain plug included in the kit.
- 5 days per week helpdesk available
- Customization available.
- Flotation foam & most fit out parts available, check catalogue for pricing.
- HIN number engraved in kit & registered.

ACTUAL KIT MIGHT DIFFER FROM PICTURES SHOWN

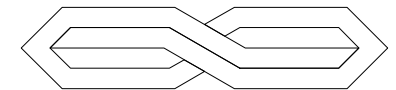


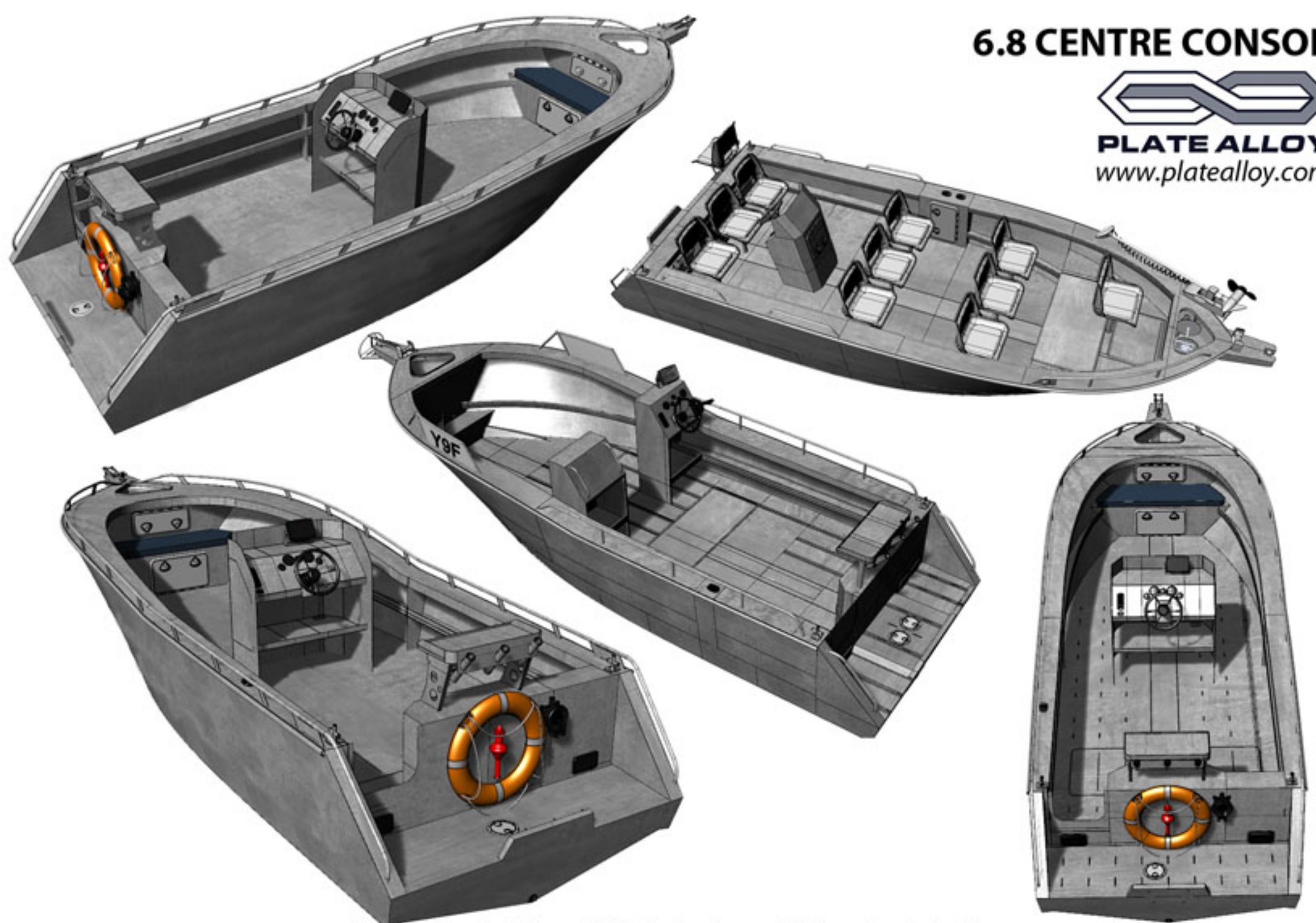
PLATE ALLOY

6.8 CENTRE CONSOLE



PLATE ALLOY

www.platealloy.com



Different Console Option available, Custom change include casting deck option.

6.8 CENTRE CONSOLE



PLATE ALLOY
www.platealloy.com



Different Console Option available, Custom change include casting deck option.