

6.8m HARD TOP 2012

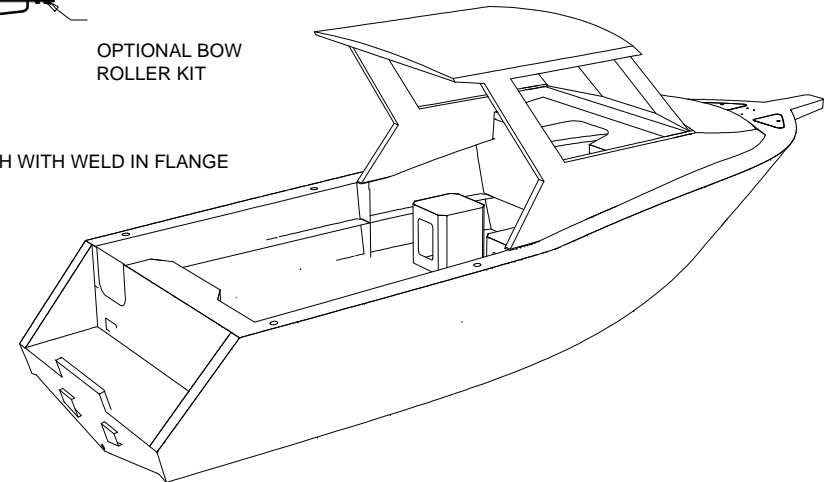
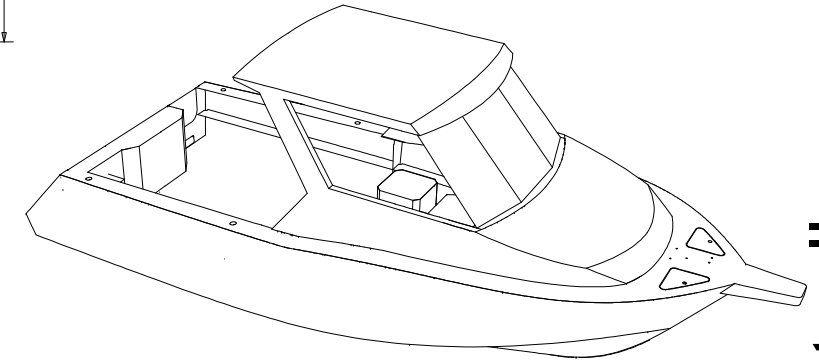
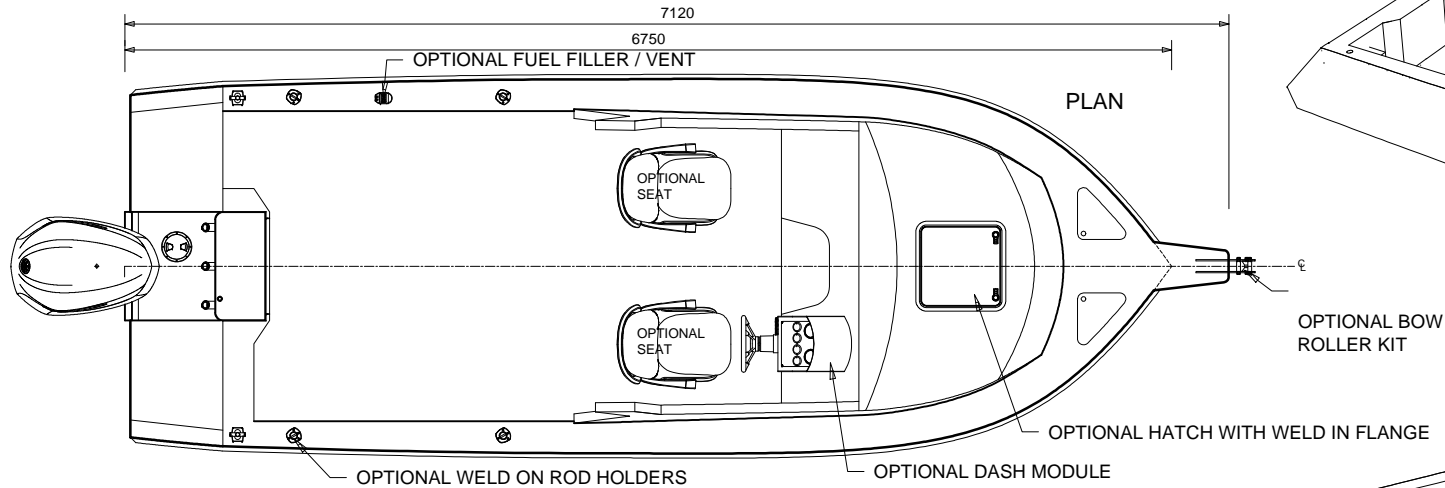
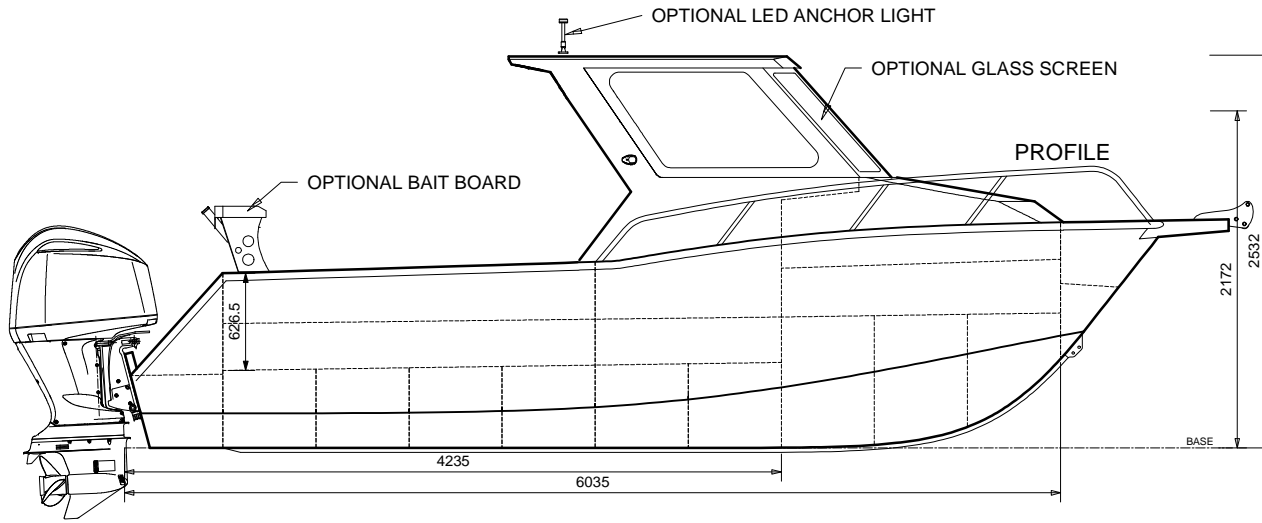
GENERAL ARRANGEMENT

PRINCIPAL PARTICULARS

LENGTH OVER ALL:	7.17 M
LENGTH HULL:	6.80 M
BEAM:	2.45 M
DEPTH:	1.12 M
DRAFT:	0.38 M
DEADRISE:	16 DEGREES
DISPLACEMENT:	1.80 TONNES
RECOMMENDED POWER:	175 HP
MAXIMUM POWER:	225 HP

Boat hull to be foam filled.

Note: Layout can be customised by owner
Owner Advised to provide sun protection



ACTUAL KIT MIGHT DIFFER FROM PICTURES SHOWN

AUSTRALIAN BUILDERS PLATE	
BUILDER	"YOUR NAME"
HIN AU	"SEE REGISTRATION"
Max	225 hp
	275 kg
Max	6 540 kg
Max	625 kg
Buoyancy	BASIC Flotation
<p>⚠ Alteration of the boat's hull or permanent fittings may invalidate the particulars on this plate.</p> <p>A REDUCTION IN MAXIMUM NUMBER OF PERSONS MUST BE MADE IN ADVERSE WEATHER CONDITIONS OR WHEN ON THE OPEN SEA.</p>	

- Design in compliance with AS1799-1 2009
- Structure in accordance with ISO 12215
- material:
 - Bottom, Chine, Transom & Stringers, 5mm 5083 aluminium.
 - Sides, Deck, Cuddy, etc. 4mm 5083 Aluminium
- Builders plate, Jig, Drawings & Photo CD included with kit.
- Bollards, Scuppers, Inspection port & Drain plug included in the kit.
- 5 days per week helpdesk available
- Customization available.
- Flotation foam & most fit out parts available, check catalogue for pricing.
- HIN number engraved in kit & registered.

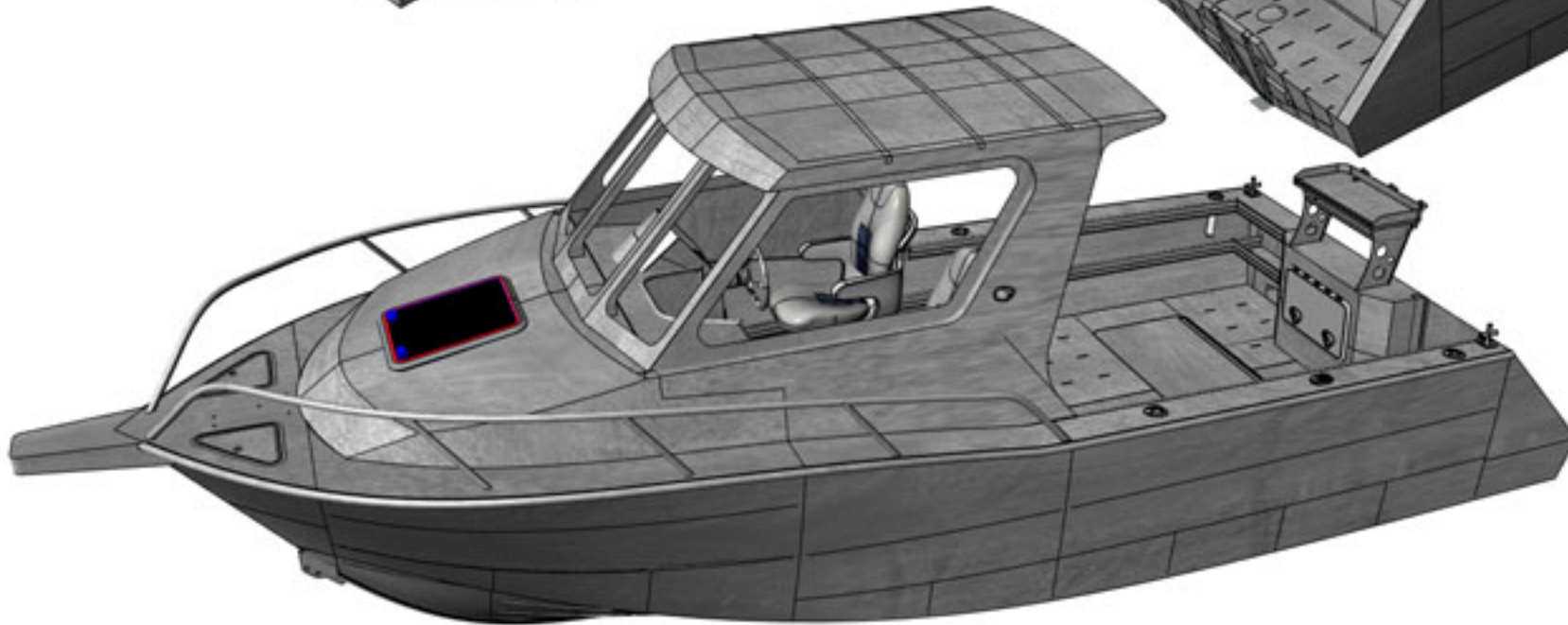
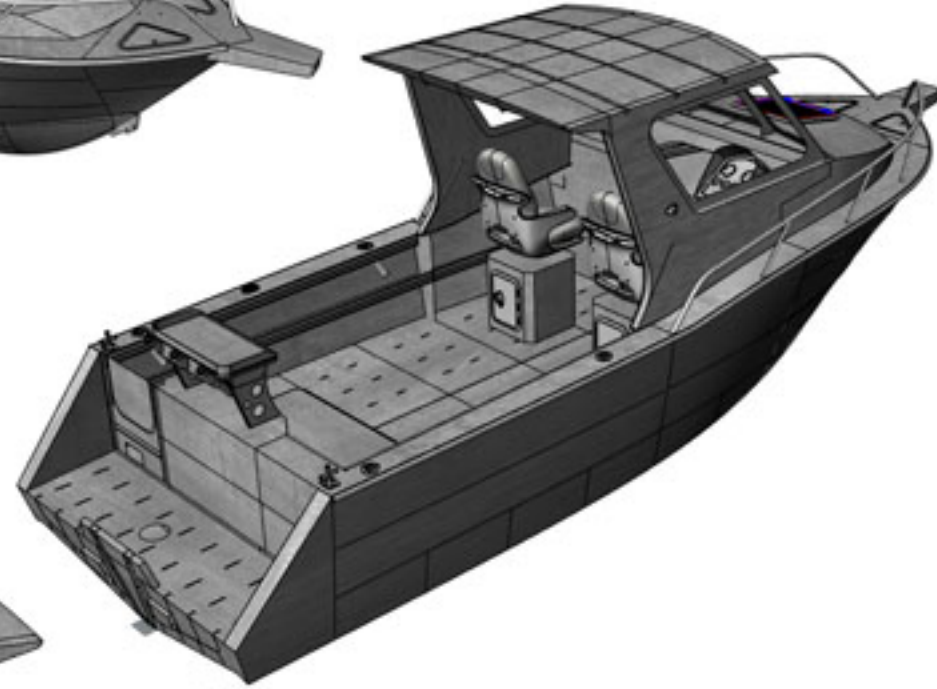
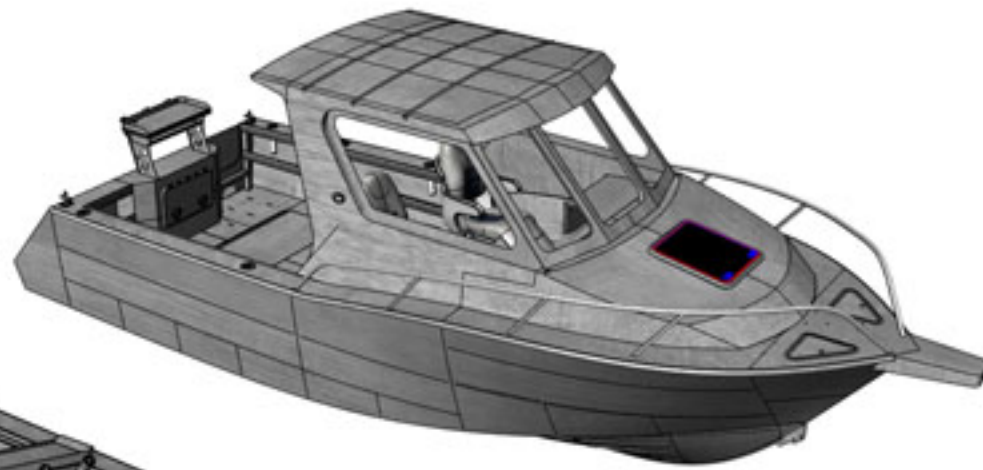
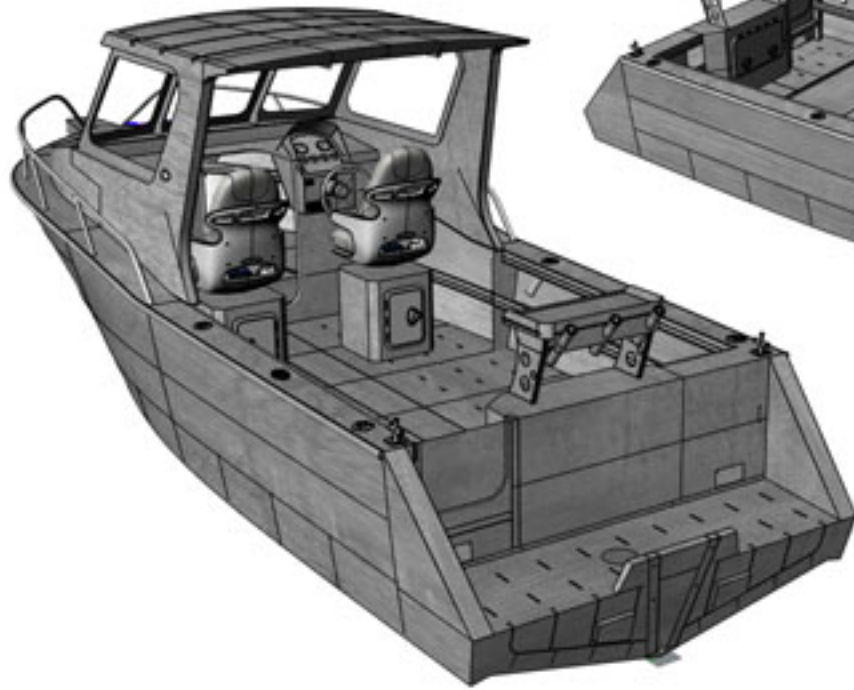
www.platealloy.com

6.8 HARD TOP



PLATE ALLOY

www.platealloy.com





6.8 HARD TOP



PLATE ALLOY

www.platealloy.com

