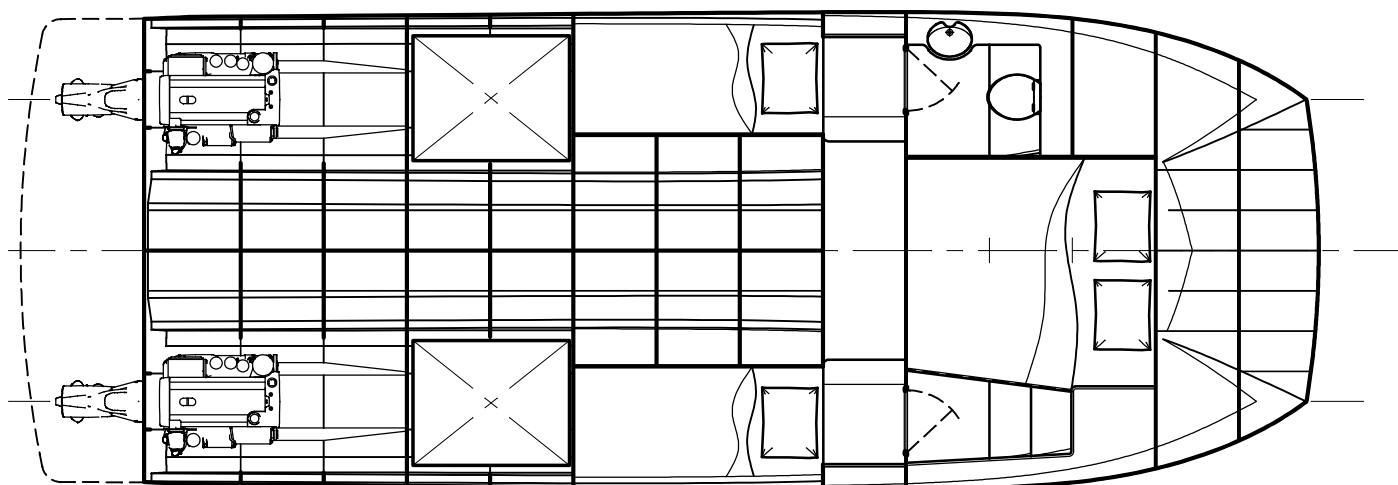
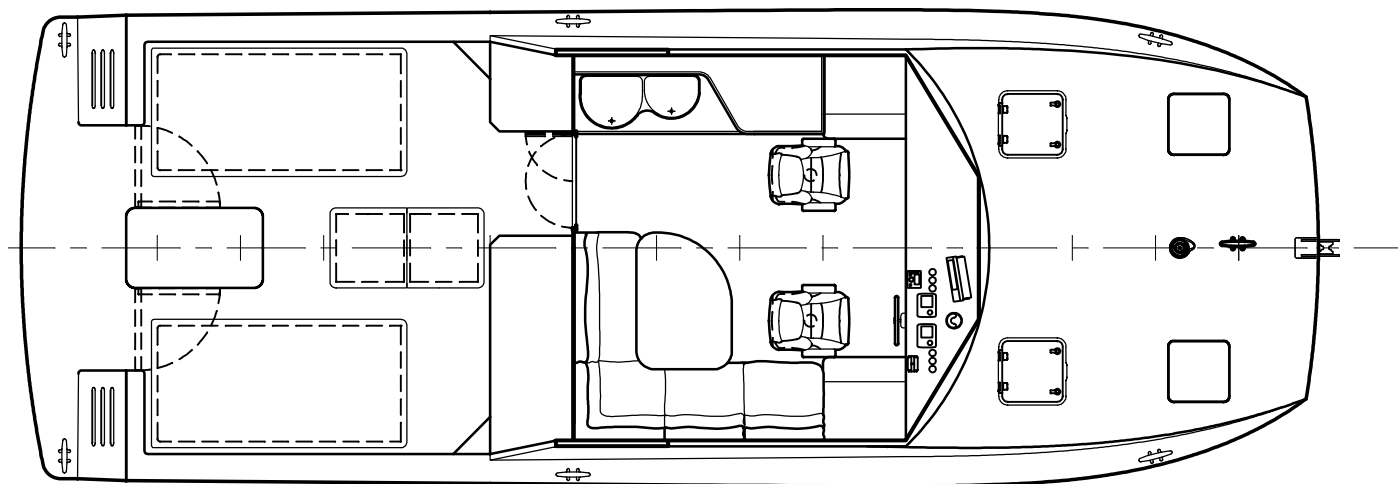
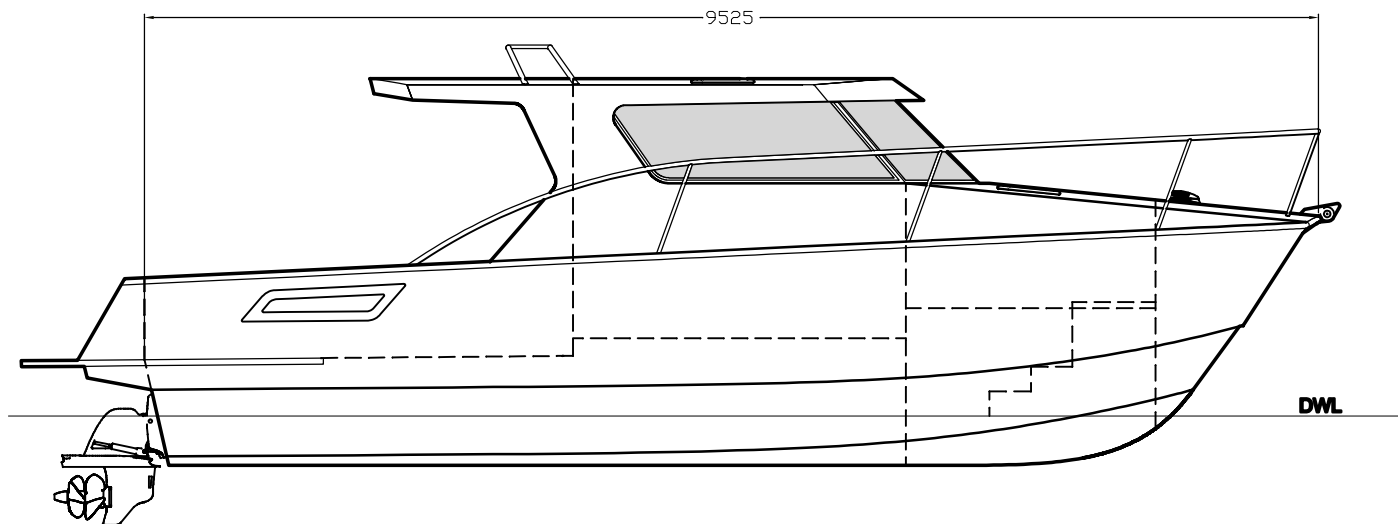


**PRINCIPAL PARTICULARS**

LOH: 9.5m (HULL ONLY)  
BEAM: 3.9m  
DEPTH: 2.0m  
DRAFT: 0.41m (HULL)  
D/RISE: 12°  
DISPL: 4300KG  
ENG: 2x 150-300HP

# 9.5m POWER CAT

GENERAL ARRANGEMENT



www.platealloy.com

